

LD[®]
PRODUCTS



GUANGDONG LIANGDIAN LIGHTING TECHNOLOGY CO.,LTD.
HK LIANGDIAN LIGHTING CO.,LTD.

Address: No.2 Tuanjie Road, Xinhua Town, Huadu District, Guangzhou 510800, China
Email: gzdled1@hotmail.com
Mobile: +86 13760685826
Web: www.gdld-lighting.com



NewestEdition

GUANGDONG LIANGDIAN LIGHTING TECHNOLOGY CO.,LTD.
HK LIANGDIAN LIGHTING CO.,LTD.



About us

Guangdong Liangdian Lighting Technology Co.,Ltd (Hong Kong Guangdong Liangdian Lighting Co.,Ltd) is a hightech enterprise, engaging in developing, manufacturing and selling LED lighting products.Since the foundation in 2006, we have been committed to the exploration and popularization of LED lighting products: Because of our exclusive design,constant product updates, we have become the major supplier in LED lighting market. Depending on reliable commercial reputation, excellent after sales services and up-to-date manufacturing technology, we are popular all over the world.

We pursue the management tenet of "Quality first, Customer focus, Innovation Continuous",and will sincerely create and share success with all clients.

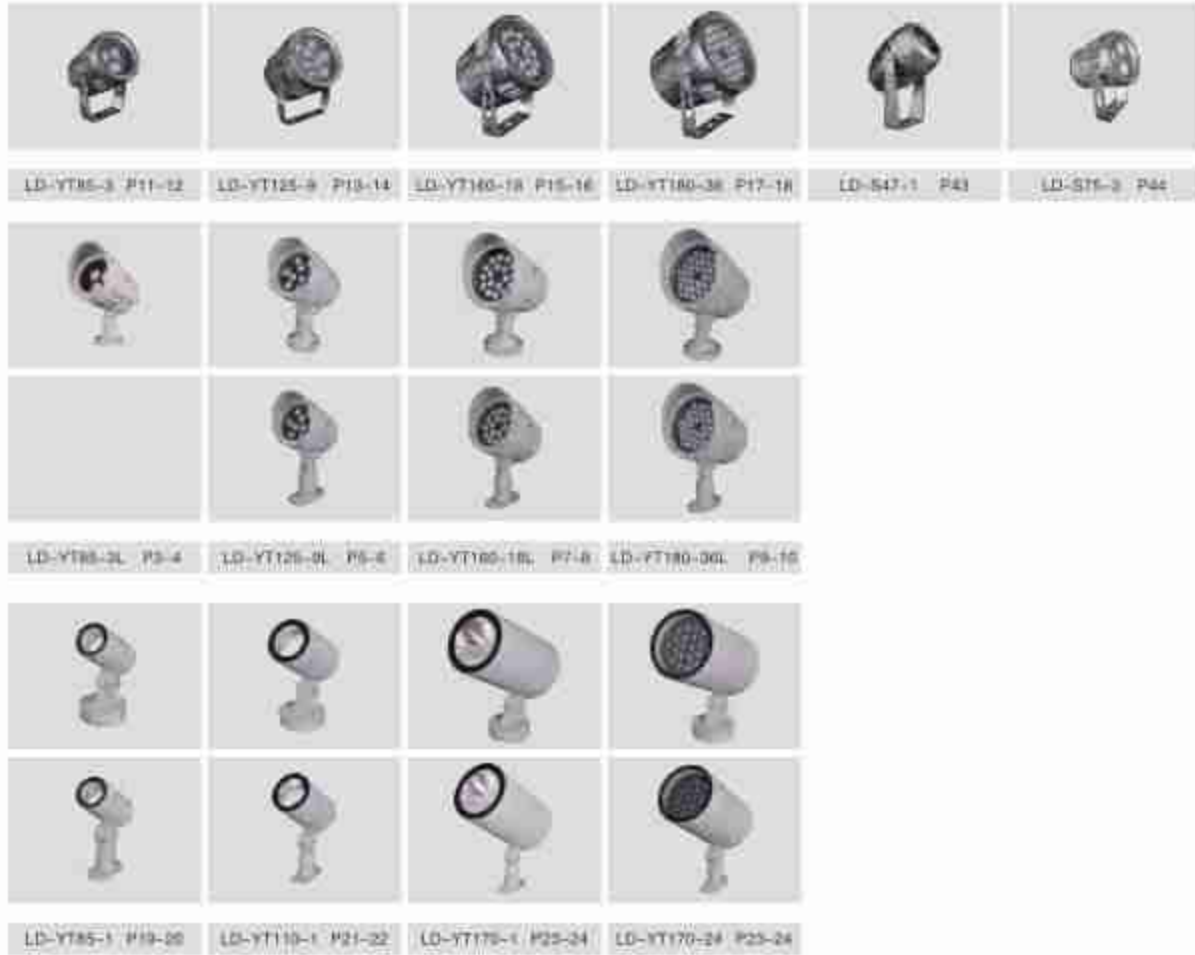
Our LED series products can be applied in historic building, pavilions, forests, porches, pillars, building bodies,gardens, plazas, tunnels, indoor decoration lighting and so on.

Our main products: LED wall washers, LED Floodlights, LED underground lights, LED digital tubes, LED underwater lights, LED wall lights, LED point lights and various kinds of outdoor lighting.

Certificates (CE, IP66, 1P67, IK08, IEC, ISO9001, CCC,CQC)



LED Floodlight Series



LED Square Floodlight Series



New Floodlight Series



LED Wall washer Series



LED Inground Light Series



LED Wall Lamp Series



LD-BD90-1 P82

LD-BD133-1 P83

LD-BD145-8 P84

LD-IST215-8 P80

LED Tree Holding Projector Series



LD-TS190-24 P85

LD-TS180-38 P86

LD-ZS190-24 P87

LD-ZS180-38 P88

LED Tube Series



LD-LKB1000-48 P90

LD-LXC1000-48 P91

LD-LKF1000-48 P92

LD-LKM1000-48 P93

LED Point Light Series



LD-YD96-12 P94

LD-YD125-18 P95

LD-YD85-12 P96

LED Underwater Series



LD-YS180-18 P99

LD-YS230-36 P100

LED Floodlight Series



Product Features:

1. Die-casting aluminum housing with polyester spraying treatment on surface, shockproof and corrosion resistance.
2. Seal-ring - imported and anti-aging rubber.
3. Transparent tempered glass lamp.
4. Adjustable aluminum alloy bracket, die-casting angle is adjustable, easy and firm installation.
5. High-speed heat dissipation structure design - effectively improve LED lifespan.
6. No pollution elements contained
7. No IR light source & UV assisted design, enabling protection of the illuminated objects.
8. Lamp temperature increasing slowly, excellent heat dissipation, stable working, reliable sealing, waterproof and resistance.
9. IP Rating: IP65 -- strict waterproof test for every lamp, before it goes out from our factory.
10. Got CE, RoHS, ip65 or FCC certificates.
11. Applications : suitable for partial lighting , accent lighting for flood lighting of large buildings, bridges, for ancient architectures and sports places.

Makes your life brighter



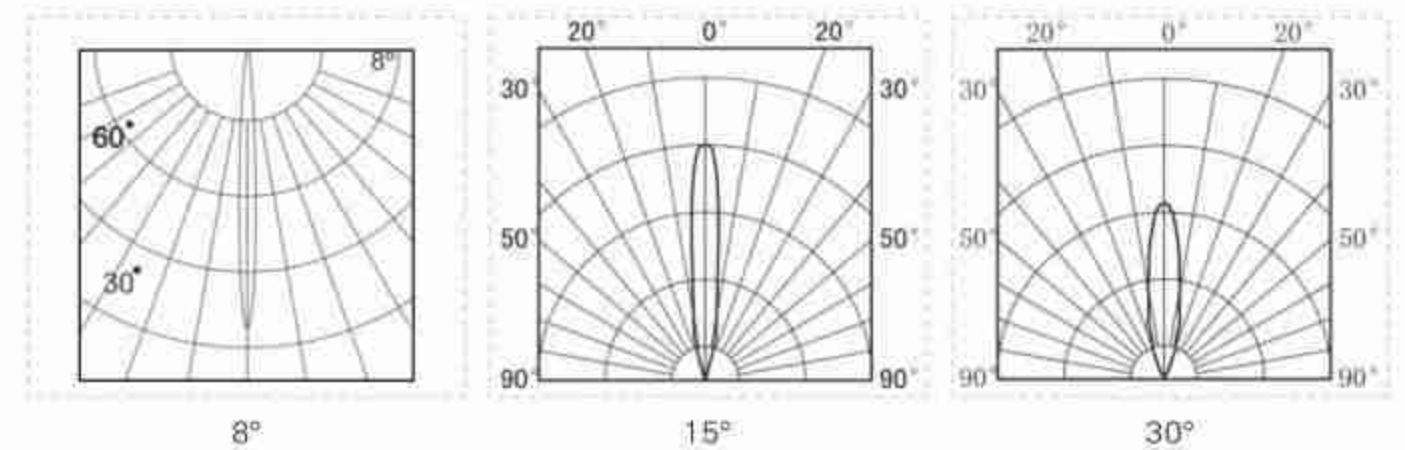
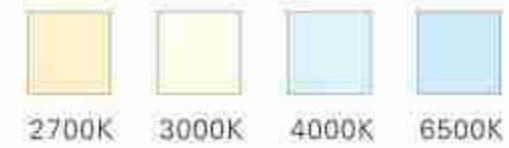
LD-YT85-3L



Specifications

Code	LD-YT85-3L
Material	Die-casting aluminum housing with high corrosion resistance, Tempered glass cover.
LED Brand	CREE
LED Power	3W/6W
Voltage	AC85-265V/ DC24V
Lumen	90-120LM/W
Color	Single Color/ RGBW With DMX512
Beam Angle	8° /15° /30° /45° /60° /15° x 45° /10° x 60°
Work Temperature	-25°C-50°C
IP Rating	IP66
Control Mode	ON/OFF Or DMX512
Size 1	D85*95*135H/D85*130*135H(With Cowl)
Size 2	D85*95*392H (With Spike)/D85*130*392H(With Spike&Cowl)
Accessory	Cowl/Spike/Honey Comb

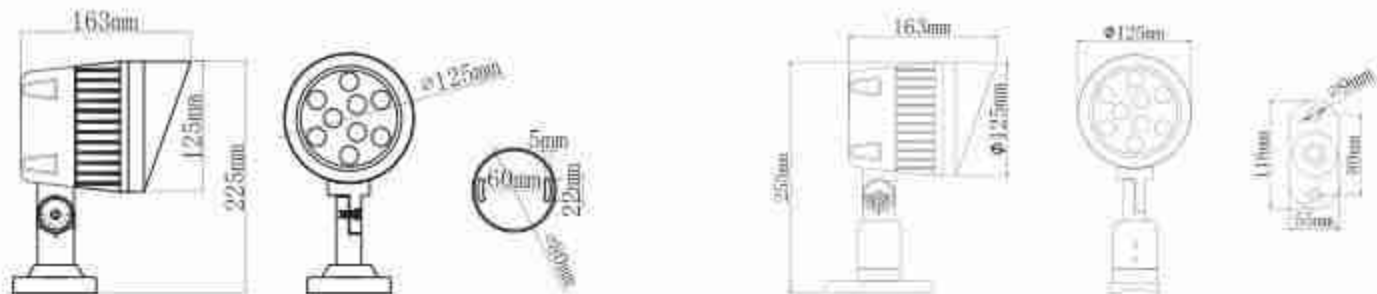
Distribution Curve



Makes your life brighter



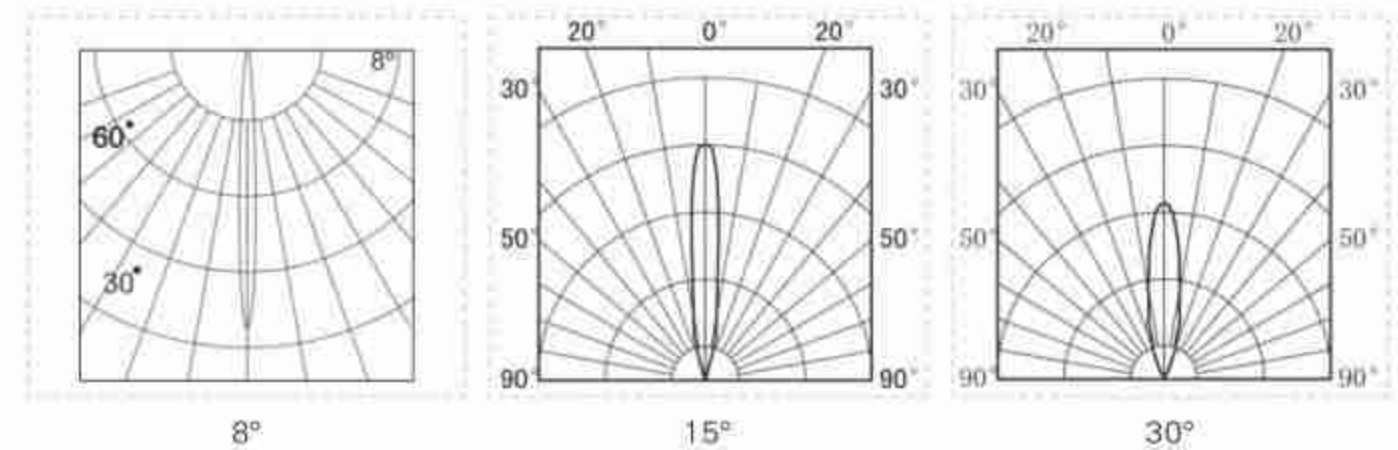
LD-YT125-9L



Specifications

Code	LD-YT125-9L
Material	Die-casting aluminum housing with high corrosion resistance, Tempered glass cover.
LED Brand	CREE
LED Power	9W/12W/20W
Voltage	AC85-265V/ DC24V
Lumen	90-120LM/W
Color	Single Color/ RGBW With DMX512
Beam Angle	8° /15° /30° /45° /60° /15° × 45° /10° × 60°
Work Temperature	-25℃-50℃
IP Rating	IP66
Control Mode	ON/OFF Or DMX512
Size 1	D125*118*225H/D125*163*225H(With Cowl)
Size 2	D125*118*497H(With Spike)/D125*163*253H(With Cowl & Pole Mounted)
Accessory	Cowl/Spike/Honey Comb

Distribution Curve



Makes your life brighter



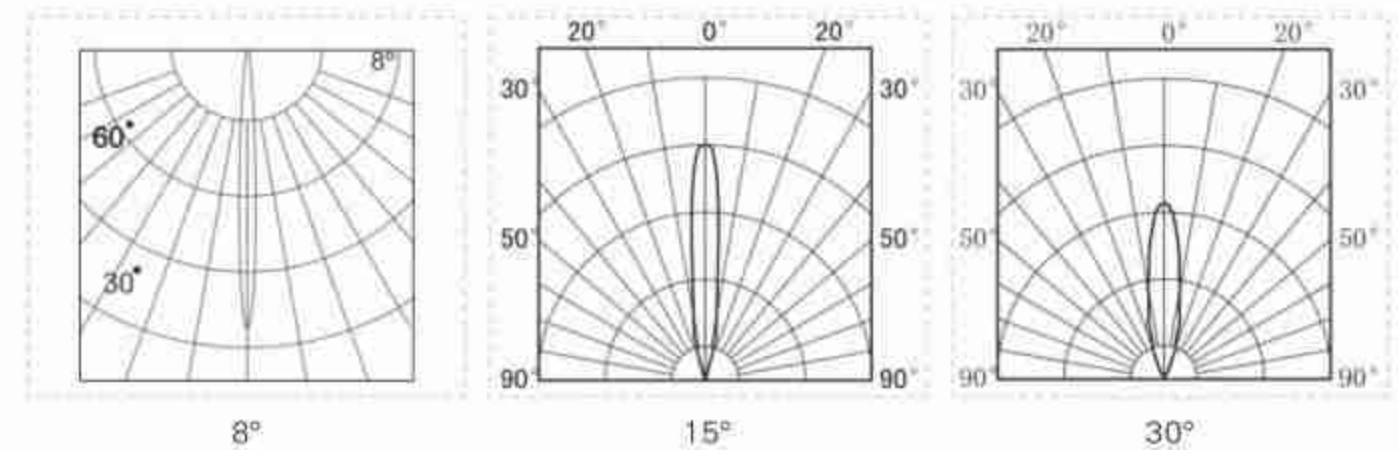
LD-YT160-18L



Specifications

Code	LD-YT160-18L
Material	Die-casting aluminum housing with high corrosion resistance, Tempered glass cover.
LED Brand	CREE
LED Power	18W/24W/30W
Voltage	AC85-265V/ DC24V
Lumen	90-120LM/W
Color	Single Color/ RGBW With DMX512
Beam Angle	8° /15° /30° /45° /60° /15° × 45° /10° × 60°
Work Temperature	-25°C-50°C
IP Rating	IP66
Control Mode	ON/OFF Or DMX512
Size 1	D160*145*260H/D160*195*260H(With Cowl)
Size 2	D160*145*530H(With Spike)/D160*195*287H(With Cowl & Pole Mounted)
Accessory	Cowl/Spike/Honey Comb

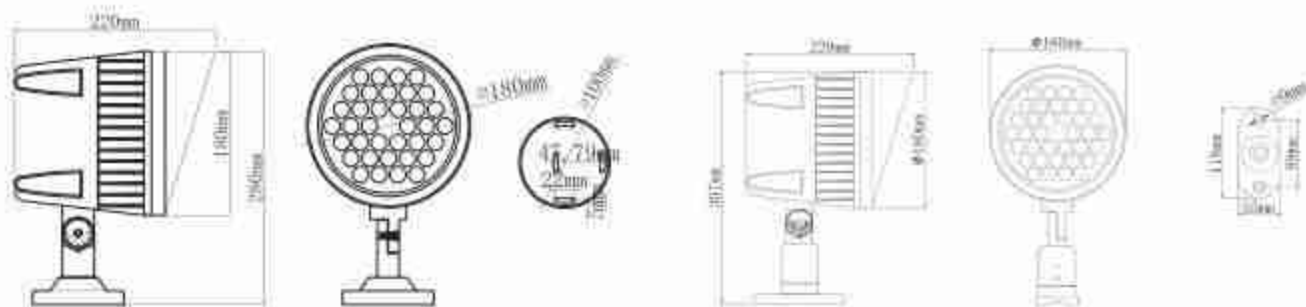
Distribution Curve



Makes your life brighter



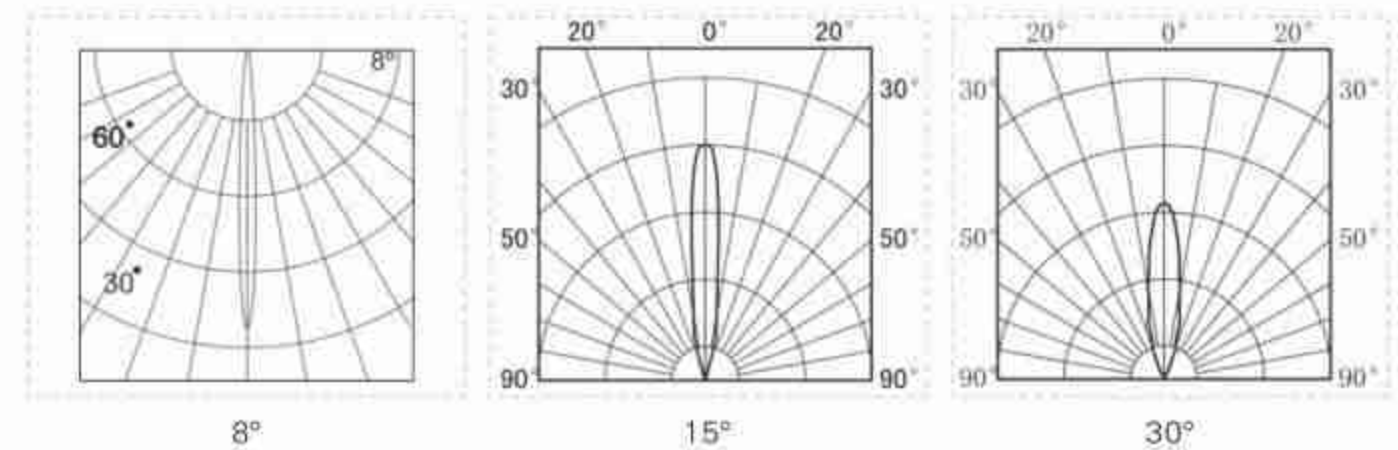
LD-YT180-36L



Specifications

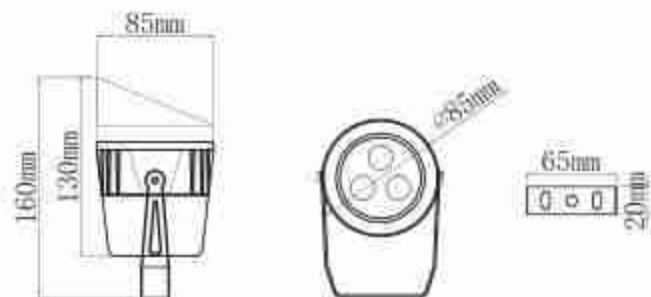
Code	LD-YT180-36L
Material	Die-casting aluminum housing with high corrosion resistance, Tempered glass cover.
LED Brand	CREE
LED Power	36W/50W/60W
Voltage	AC85-265V/ DC24V
Lumen	90-120LM/W
Color	Single Color/ RGBW With DMX512
Beam Angle	8° /15° /30° /45° /60° /15° × 45° /10° × 60°
Work Temperature	-25°C-50°C
IP Rating	IP66
Control Mode	ON/OFF Or DMX512
Size 1	D180*165*280H/D180*220*280H(With Cowl)
Size 2	D180*165*547H(With Spike)/D180*220*307H(With Cowl & Pole Mounted)
Accessory	Cowl/Spike/Honey Comb

Distribution Curve





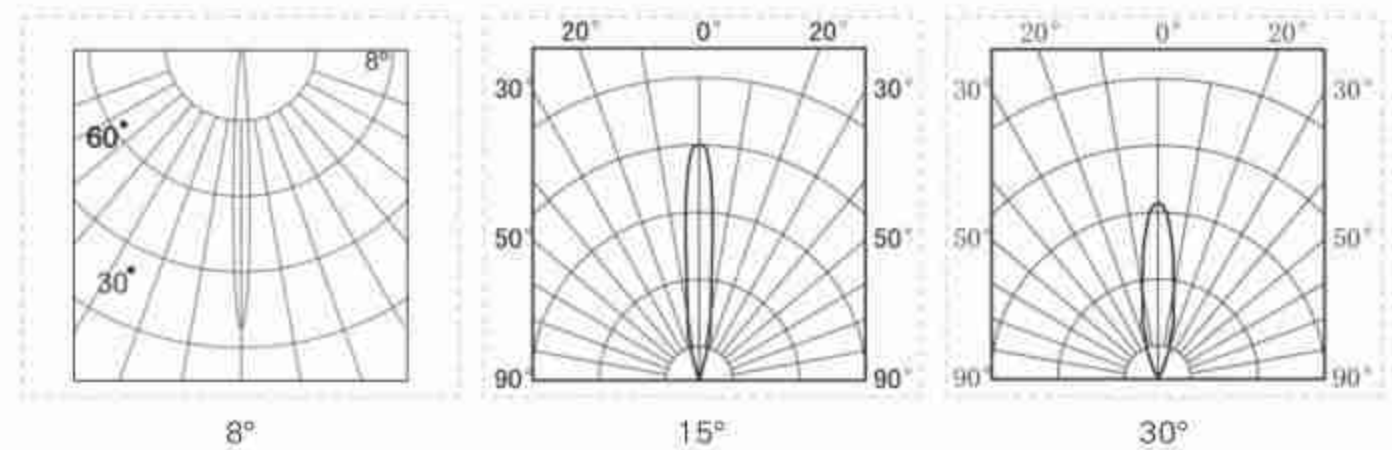
LD-YT85-3



Specifications

Code	LD-YT85-3
Material	Die-casting aluminum housing with high corrosion resistance, Tempered glass cover.
LED Brand	CREE
LED Power	3W/6W
Voltage	AC85-265V/ DC24V
Lumen	90-120LM/W
Color	Single Color/ RGBW With DMX512
Beam Angle	8° /15° /30° /45° /60° /15° × 45° /10° × 60°
Work Temperature	-25°C~50°C
IP Rating	IP66
Control Mode	ON/OFF Or DMX512
Size	D85*125H/D85*160H(With Cowl)
Accessory	Cowl/Spike/Honey Comb

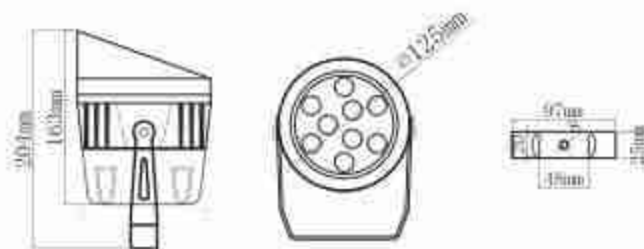
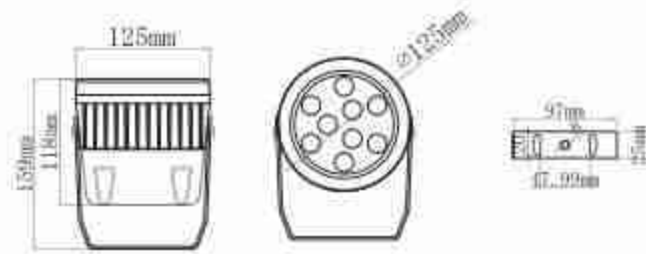
Distribution Curve



Makes your life brighter



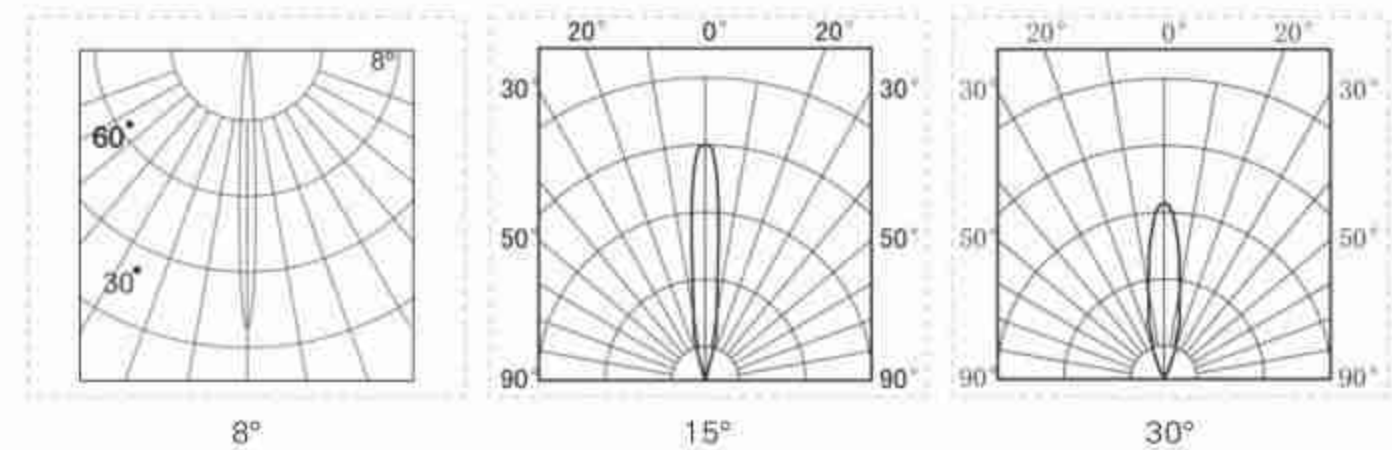
LD-YT125-9



Specifications

Code	LD-YT125-9
Material	Die-casting aluminum housing with high corrosion resistance, Tempered glass cover.
LED Brand	CREE
LED Power	9W/12W/20W
Voltage	AC85-265V/ DC24V
Lumen	90-120LM/W
Color	Single Color/ RGBW With DMX512
Beam Angle	8° /15° /30° /45° /60° /15° × 45° /10° × 60°
Work Temperature	-25°C~50°C
IP Rating	IP66
Control Mode	ON/OFF Or DMX512
Size	D125*159H/D125*204H(With Cowl)
Accessory	Cowl/Spike/Honey Comb

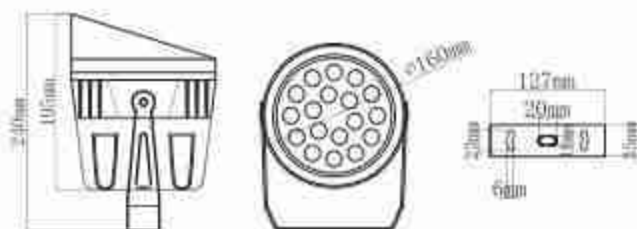
Distribution Curve



Makes your life brighter



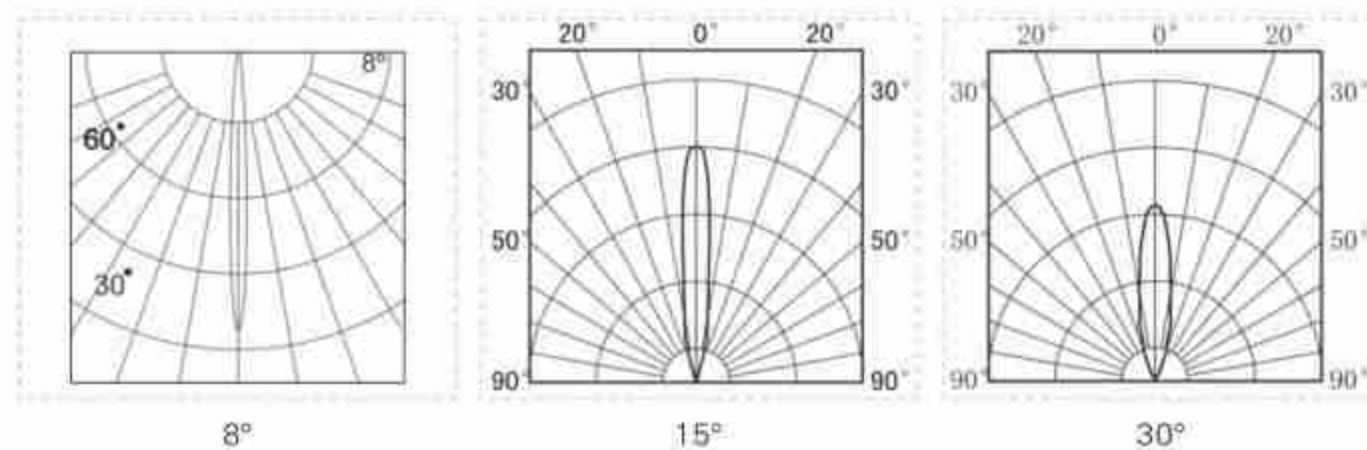
LD-YT160-18



Specifications

Code	LD-YT160-18
Material	Die-casting aluminum housing with high corrosion resistance, Tempered glass cover.
LED Brand	CREE
LED Power	18W/24W/30W
Voltage	AC85-265V / DC24V
Lumen	90-120LM/W
Color	Single Color/ RGBW With DMX512
Beam Angle	8° /15° /30° /45° /60° /15° × 45° /10° × 60°
Work Temperature	-25°C~50°C
IP Rating	IP66
Control Mode	ON/OFF Or DMX512
Size	D160*190H/D160*240H(with Cowl)
Accessory	Cowl/Spike/Honey Comb

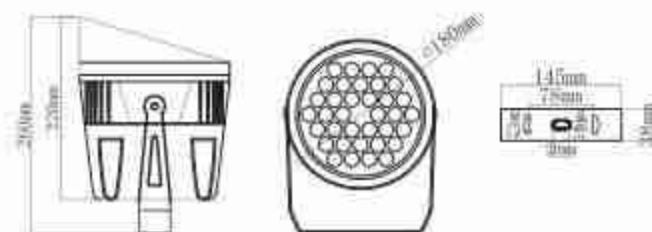
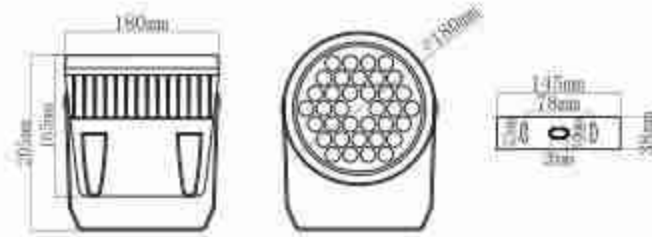
Distribution Curve



Makes your life brighter



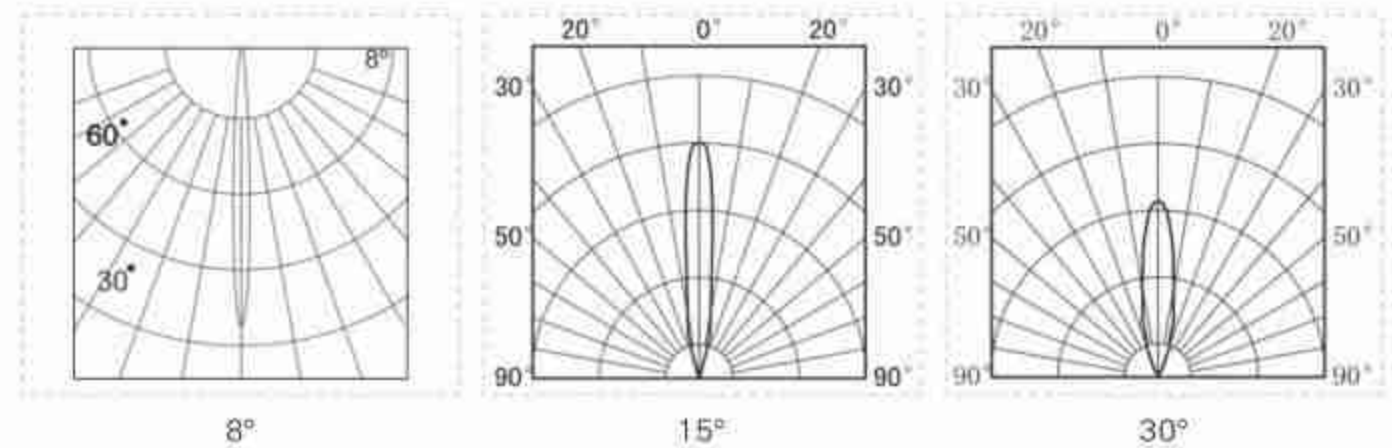
LD-YT180-36



Specifications

Code	LD-YT180-36
Material	Die-casting aluminum housing with high corrosion resistance, Tempered glass cover.
LED Brand	CREE
LED Power	36W/50W/60W
Voltage	AC85-265V/DC24V
Lumen	90-120LM/W
Color	Single Color/ RGBW With DMX512
Beam Angle	8° /15° /30° /45° /60° /15° × 45° /10° × 60°
Work Temperature	-25°C~50°C
IP Rating	IP66
Control Mode	ON/OFF Or DMX512
Size	D180*205H/D180*260H(with Cowl)
Accessory	Cowl/Spike/Honey Comb

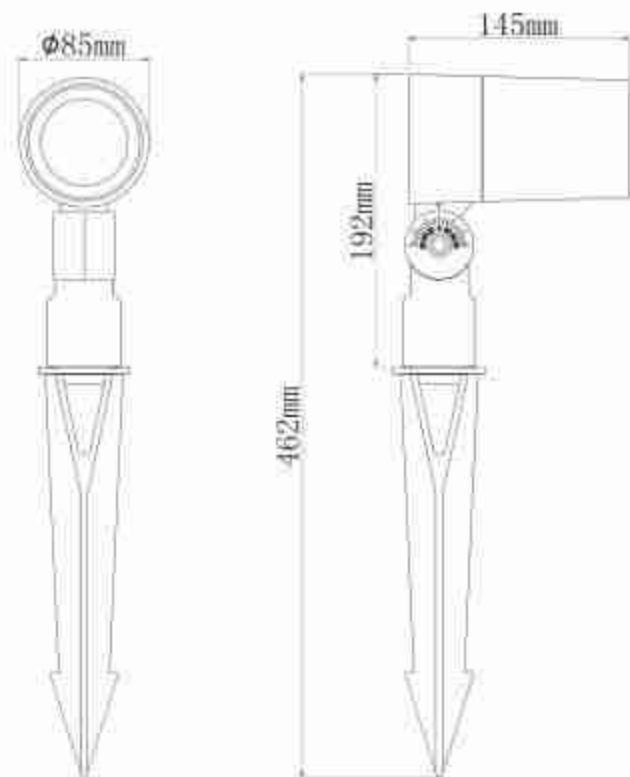
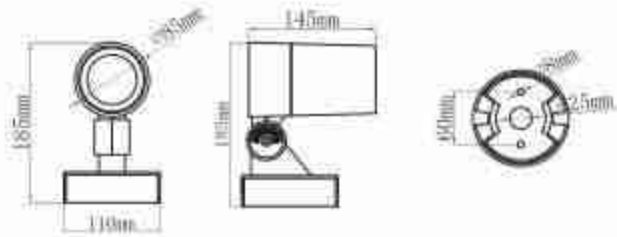
Distribution Curve



Makes your life brighter



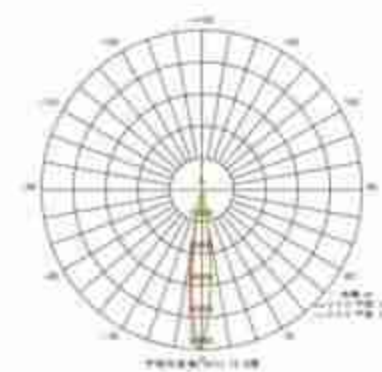
LD-YT85-1



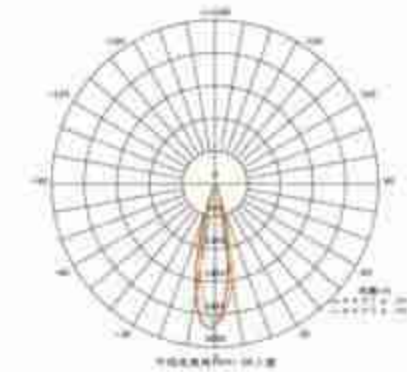
Specifications

Code	LD-YT85-1
Material	Die-casting aluminum housing with high corrosion resistance, Tempered glass cover.
LED Brand	CREE
LED Power	7W/10W/12W
Voltage	AC85-265V / DC24V
Lumen	90-120LM/W
Color	Single Color/ RGBW With DMX512
Beam Angle	12° /24° /38°
Work Temperature	-25℃~50℃
IP Rating	IP66
Control Mode	ON/OFF Or DMX512
Size	D85*145*185H/D85*145*462H (With Spike) /D85*145*215H (Pole Mounted)
Accessory	Cowl/Spike/Honey Comb

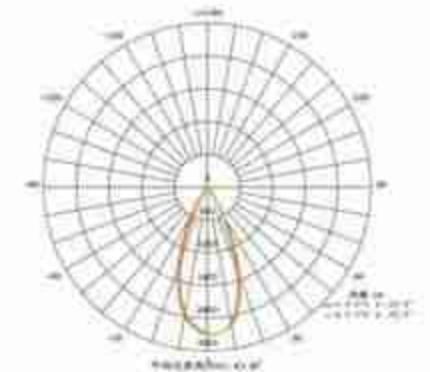
Distribution Curve



12°



24°

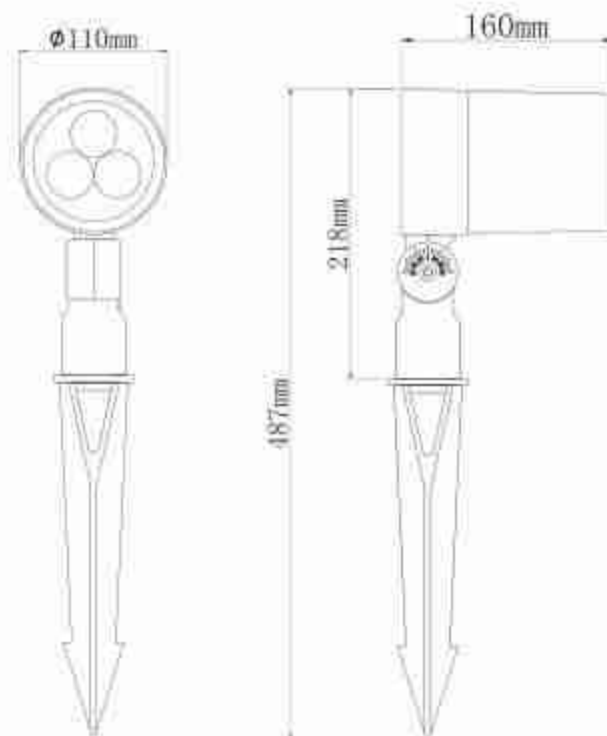
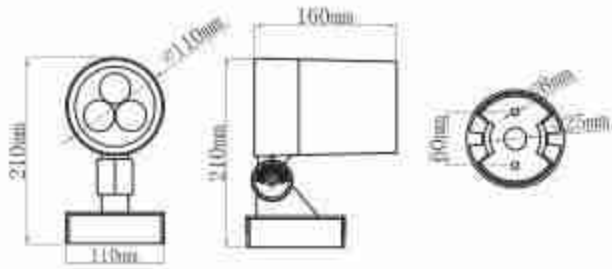


38°

Makes your life brighter



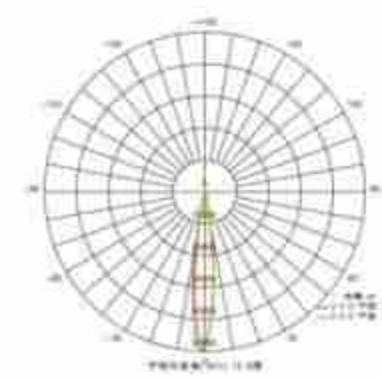
LD-YT110-1



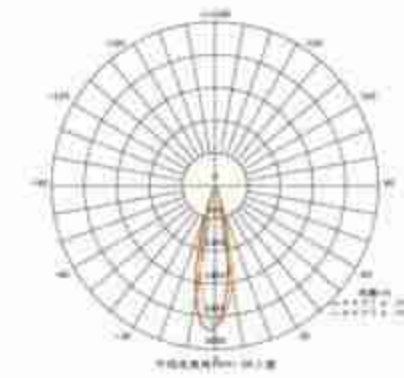
Specifications

Code	LD-YT110-1
Material	Die-casting aluminum housing with high corrosion resistance, Tempered glass cover.
LED Brand	CREE
LED Power	20W/25W
Voltage	AC85-265V / DC24V
Lumen	90-120LM/W
Color	Single Color/ RGBW With DMX512
Beam Angle	12° /24° /38°
Work Temperature	-25°C-50°C
IP Rating	IP66
Control Mode	ON/OFF Or DMX512
Size	D110*160*210H/D110*160*487H(With Spike)/D110*160*240H(Pole Mounted)
Accessory	Cowl/Spike/Honey Comb

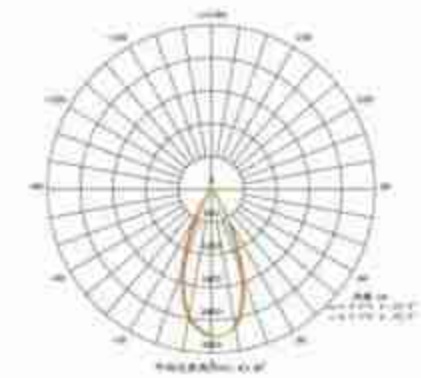
Distribution Curve



12°



24°

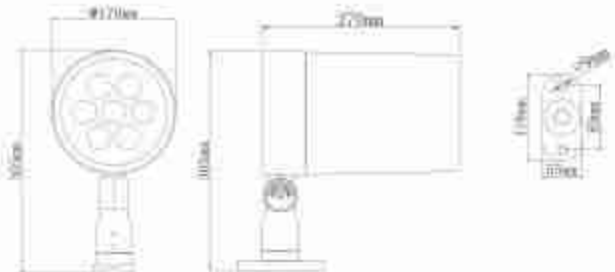
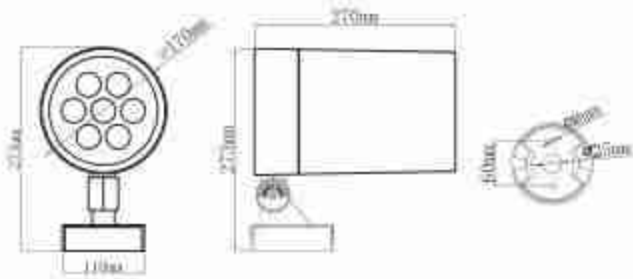


38°

Makes your life brighter



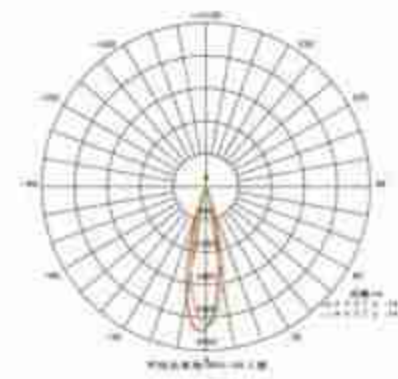
LD-YT170-24



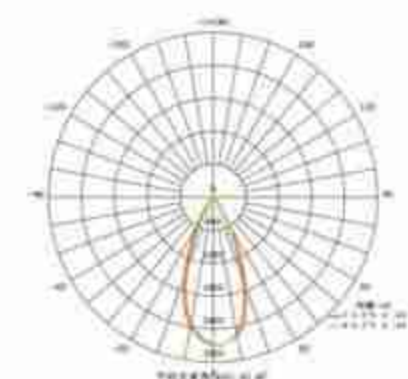
Specifications

Code	LD-YT170-24/ LD-YT170-1/ LD-YT170-9
Material	Die-casting aluminum housing with high corrosion resistance, Tempered glass cover.
LED Brand	CREE
LED Power	40W/50W/60W
Voltage	AC85-265V/ DC24V
Lumen	90-120LM/W
Color	Single Color/ RGBW With DMX512
Beam Angle	24° /38° /60°
Work Temperature	-25°C~50°C
IP Rating	IP66
Control Mode	ON/OFF Or DMX512
Size	D170*270*273H/D170*270 *305H (Pole Mounted)
Accessory	Cowl/Spike/Honey Comb

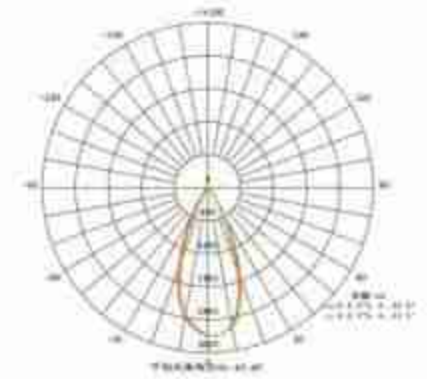
Distribution Curve



24°



38°

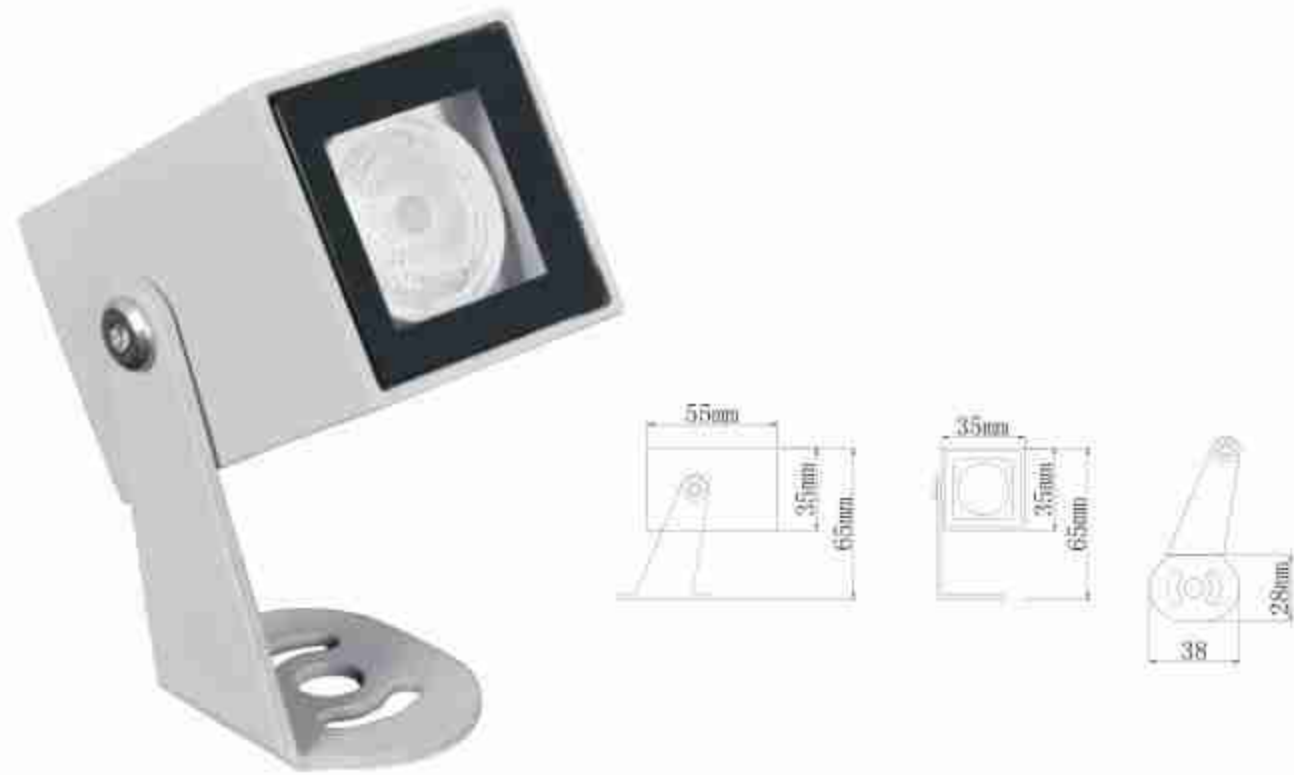


60°

Makes your life brighter



LD-NFT35-1

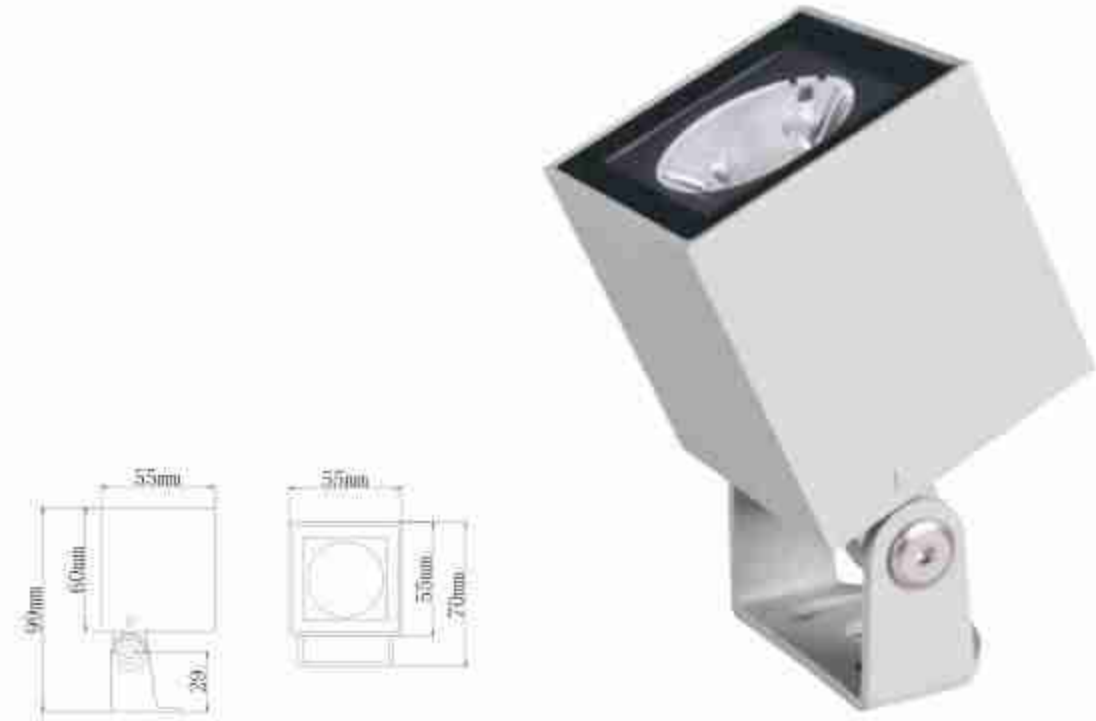


Specifications

Code	LD-NFT35-1
Material	Die-casting aluminum housing with high corrosion resistance, Tempered glass cover.
LED Brand	CREE
LED Power	2W
Voltage	DC24V
Lumen	90-120LM/W
Color	Single Color
Beam Angle	8° /15° /30° /45° /60° /15° × 45° /10° × 60°
Work Temperature	-25℃-50℃
IP Rating	IP66
Control Mode	ON/OFF
Size	D35*55*65H
Accessory	Cowl/Spike/Honey Comb



LD-NFT55-1



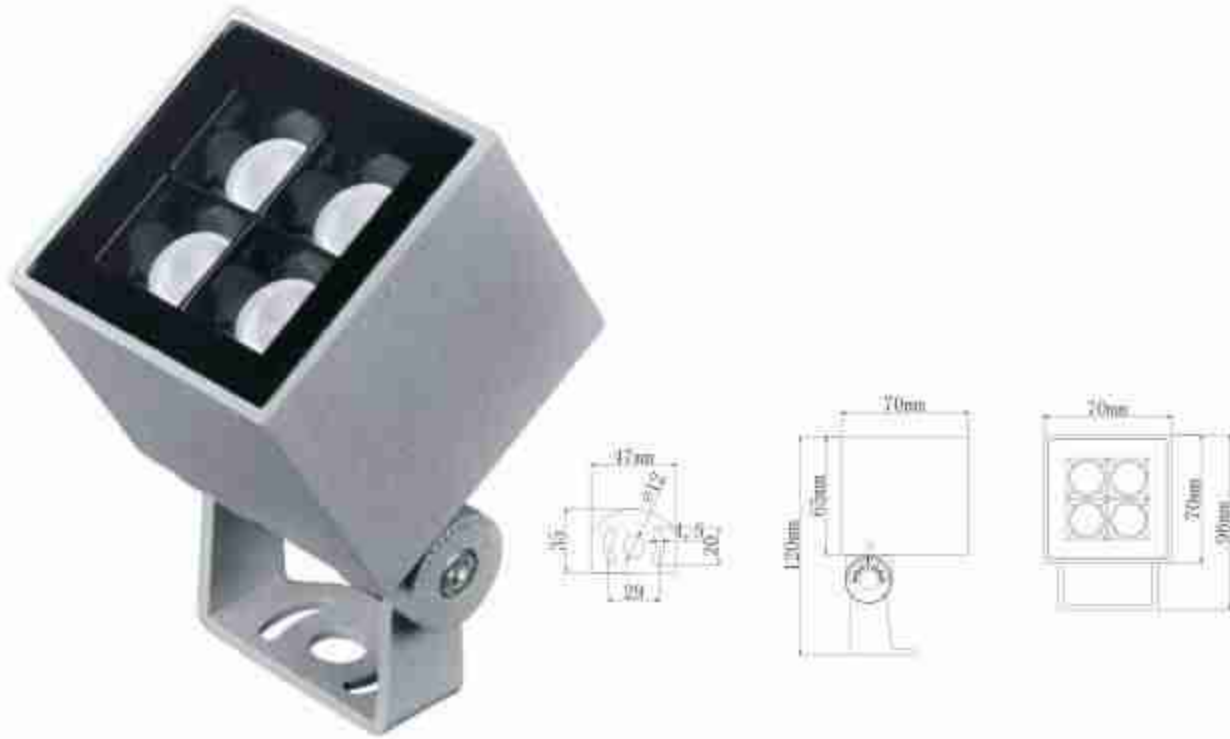
Specifications

Code	LD-NFT55-1
Material	Die-casting aluminum housing with high corrosion resistance, Tempered glass cover.
LED Brand	CREE
LED Power	5W
Voltage	DC24V
Lumen	90-120LM/W
Color	Single Color
Beam Angle	8° /15° /30° /45° /60° /15° × 45° /10° × 60°
Work Temperature	-25℃-50℃
IP Rating	IP66
Control Mode	ON/OFF
Size	D55*55*99H
Accessory	Cowl/Spike/Honey Comb

Makes your life brighter



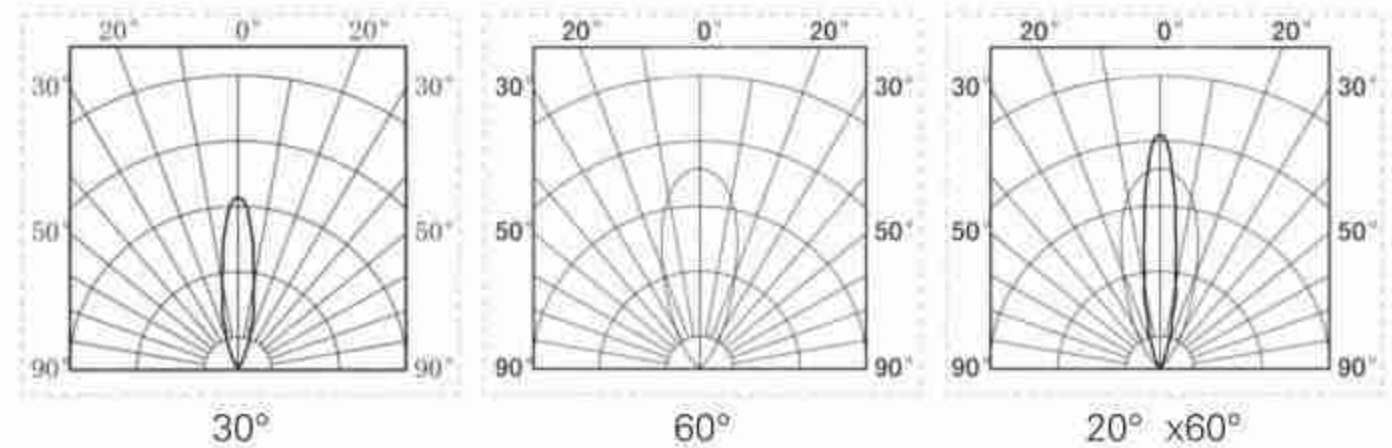
LD-NFT70-4



Specifications

Code	LD-NFT70-4
Material	Die-casting aluminum housing with high corrosion resistance, Tempered glass cover.
LED Brand	CREE
LED Power	4W/8W
Voltage	AC85-265V / DC24V
Lumen	90-120LM/W
Color	Single Color/ RGBW With DMX512
Beam Angle	8° /15° /30° /45° /60° /15° × 45° /10° × 60°
Work Temperature	-25°C~50°C
IP Rating	IP66
Control Mode	ON/OFF Or DMX512
Size	D70*70*120H
Accessory	Cowl/Spike/Honey Comb

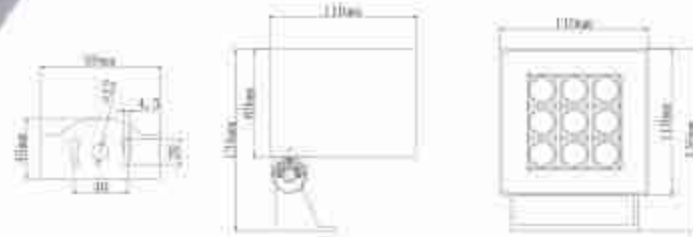
Distribution Curve



Makes your life brighter



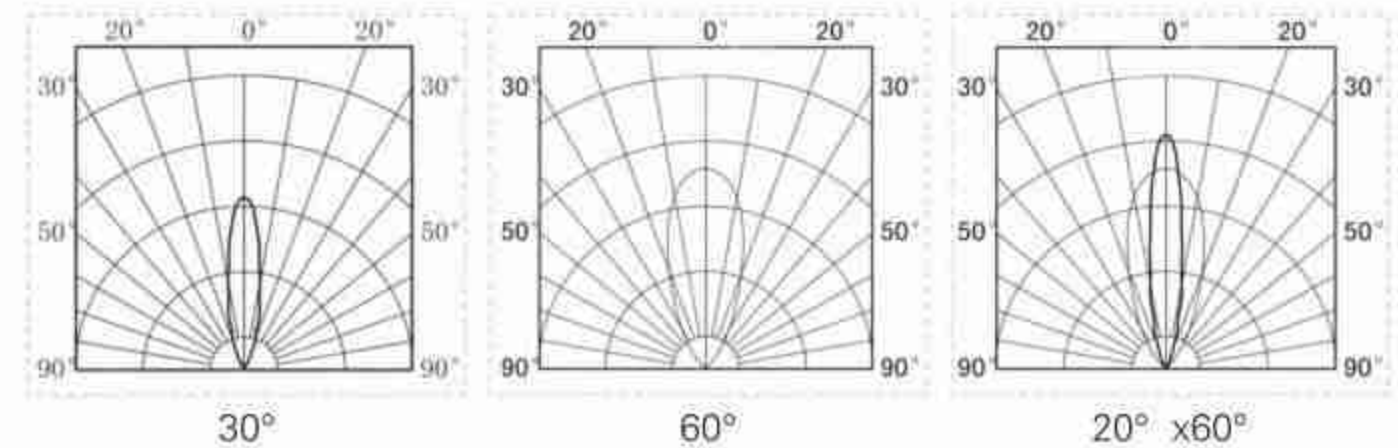
LD-NFT110-9



Specifications

Code	LD-NFT110-9
Material	Die-casting aluminum housing with high corrosion resistance, Tempered glass cover.
LED Brand	CREE
LED Power	9W/18W
Voltage	AC85-265V / DC24V
Lumen	90-120LM/W
Color	Single Color/ RGBW With DMX512
Beam Angle	8° /15° /30° /45° /60° /15° × 45° /10° × 60°
Work Temperature	-25°C-50°C
IP Rating	IP66
Control Mode	ON/OFF Or DMX512
Size	L110*110*135H
Accessory	Cowl/Spike/Honey Comb

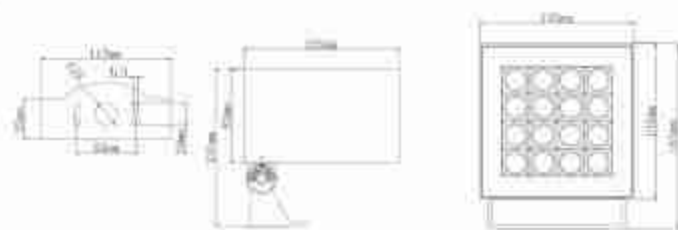
Distribution Curve



Makes your life brighter



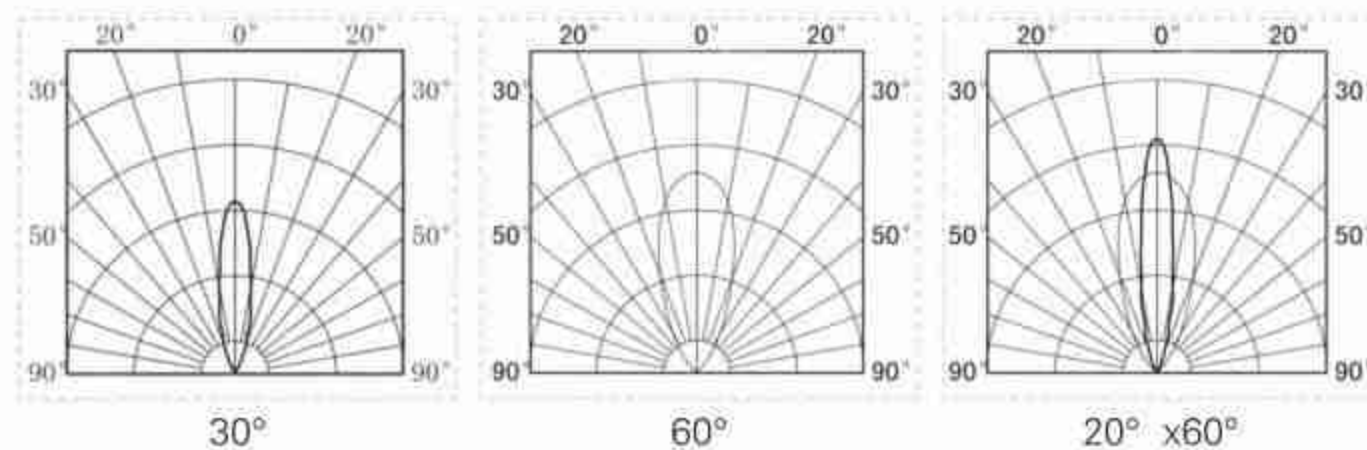
LD-NFT135-16



Specifications

Code	LD-NFT135-16
Material	Die-casting aluminum housing with high corrosion resistance, Tempered glass cover.
LED Brand	CREE
LED Power	25W/30W
Voltage	AC85-265V / DC24V
Lumen	90-120LM/W
Color	Single Color/ RGBW With DMX512
Beam Angle	8° /15° /30° /45° /60° /15° × 45° /10° × 60°
Work Temperature	-25°C~50°C
IP Rating	IP66
Control Mode	ON/OFF Or DMX512
Size	L135*135*137H
Accessory	Cowl/Spike/Honey Comb

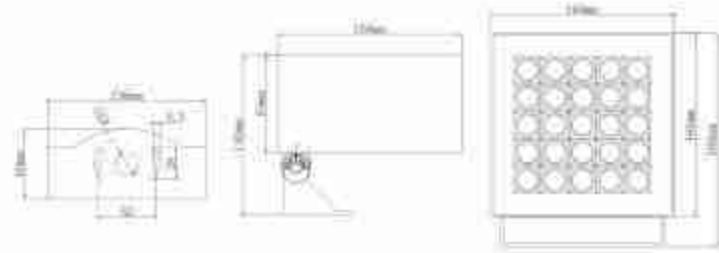
Distribution Curve



Makes your life brighter



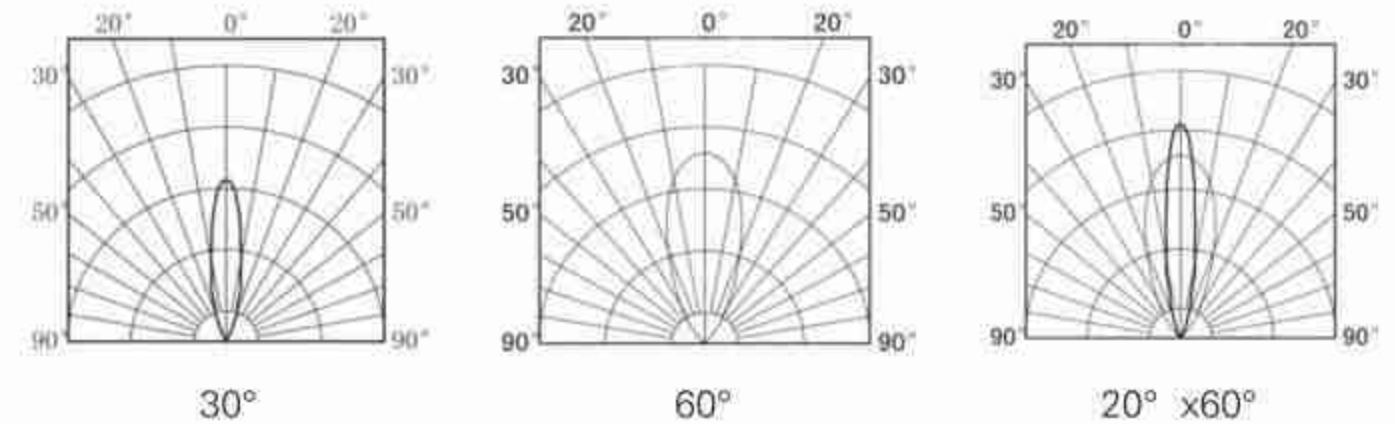
LD-NFT160-25



Specifications

Code	LD-NFT160-25
Material	Die-casting aluminum housing with high corrosion resistance, Tempered glass cover.
LED Brand	CREE
LED Power	30W/50W
Voltage	AC85-265V / DC24V
Lumen	90-120LM/W
Color	Single Color/ RGBW With DMX512
Beam Angle	8° /15° /30° /45° /60° /15° × 45° /10° × 60°
Work Temperature	-25°C~50°C
IP Rating	IP66
Control Mode	ON/OFF Or DMX512
Size	L160*160*140H
Accessory	Cowl/Spike/Honey Comb

Distribution Curve



Makes your life brighter



LD-NFT200-36



Specifications

Code	LD-NFT200-36
Material	Die-casting aluminum housing with high corrosion resistance, Tempered glass cover.
LED Brand	CREE
LED Power	50W/70W
Voltage	AC85-265V / DC24V
Lumen	90-120LM/W
Color	Single Color/ RGBW With DMX512
Beam Angle	8° /15° /30° /45° /60° /15° × 45° /10° × 60°
Work Temperature	-25°C~50°C
IP Rating	IP66
Control Mode	ON/OFF Or DMX512
Size	L200*200*205H
Accessory	Cowl/Spike/Honey Comb



LD-NFT110-9L



Specifications

Code	LD-NFT110-9L
Material	Die-casting aluminum housing with high corrosion resistance, Tempered glass cover.
LED Brand	CREE
LED Power	9W/18W
Voltage	AC85-265V / DC24V
Lumen	90-120LM/W
Color	Single Color/ RGBW With DMX512
Beam Angle	8° /15° /30° /45° /60° /15° × 45° /10° × 60°
Work Temperature	-25°C~50°C
IP Rating	IP66
Control Mode	ON/OFF Or DMX512
Size	L110*110*180H/L110*110*217H
Accessory	Cowl/Spike/Honey Comb

Makes your life brighter



LD-NFT135-16L



Specifications

Code	LD-NFT135-16L
Material	Die-casting aluminum housing with high corrosion resistance, Tempered glass cover.
LED Brand	CREE
LED Power	25W/30W
Voltage	AC85-265V/ DC24V
Lumen	90-120LM/W
Color	Single Color/ RGBW With DMX512
Beam Angle	8° /15° /30° /45° /60° /15° × 45° /10° × 60°
Work Temperature	-25°C~50°C
IP Rating	IP66
Control Mode	ON/OFF / DMX512
Size	L135*135*187H/L135*135*219H
Accessory	Cowl/Spike/Honey Comb



LD-NFT160-25L



Specifications

Code	LD-NFT160-25L
Material	Die-casting aluminum housing with high corrosion resistance, Tempered glass cover.
LED Brand	CREE
LED Power	30W/50W
Voltage	AC85-265V / DC24V
Lumen	90-120LM/W
Color	Single Color/ RGBW With DMX512
Beam Angle	8° /15° /30° /45° /60° /15° × 45° /10° × 60°
Work Temperature	-25°C~50°C
IP Rating	IP66
Control Mode	ON/OFF
Size	L160*160*190H/L160*160*222H
Accessory	Cowl/Spike/Honey Comb

Makes your life brighter



LD-NFT200-36L



Specifications

Code	LD-NFT200-36L
Material	Die-casting aluminum housing with high corrosion resistance, Tempered glass cover.
LED Brand	CREE
LED Power	50W/70W
Voltage	AC85-265V OR DC24V
Lumen	90-120LM/W
Color	Single Color/ RGBW With DMX512
Beam Angle	8° /15° /30° /45° /60° /15° × 45° /10° × 60°
Work Temperature	-25°C~50°C
IP Rating	IP66
Control Mode	ON/OFF Or DMX512
Size	L200*200*205H
Accessory	Cowl/Spike/Honey Comb



LD-FT200-18



Specifications

Code	LD-FT200-18
Material	Die-casting aluminum housing with high corrosion resistance, Tempered glass cover.
LED Brand	CREE
LED Power	18W/24W
Voltage	AC85-265V OR DC24V
Lumen	90-120LM/W
Color	Single Color/ RGBW With DMX512
Beam Angle	8° /15° /30° /45° /60° /15° × 45° /10° × 60°
Work Temperature	-25°C~50°C
IP Rating	IP66
Control Mode	ON/OFF Or DMX512
Size	L200*260H
Accessory	Cowl/Spike

Makes your life brighter



LD-FT270-36

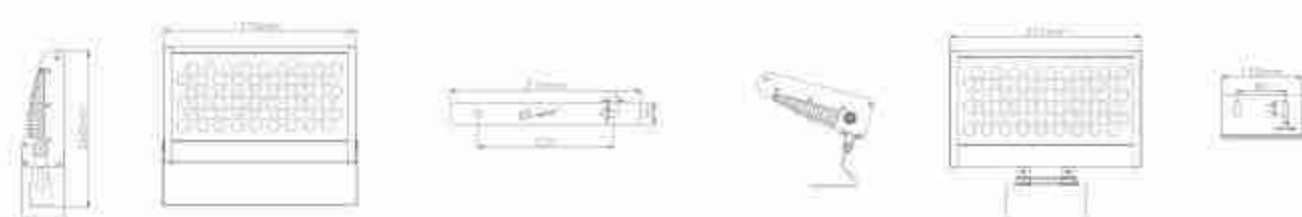


Specifications

Code	LD-FT270-36
Material	Die-casting aluminum housing with high corrosion resistance, Tempered glass cover.
LED Brand	CREE
LED Power	36W
Voltage	AC85-265V OR DC24V
Lumen	90-120LM/W
Color	Single Color/ RGBW With DMX512
Beam Angle	8° /15° /30° /45° /60° /15° × 45° /10° × 60°
Work Temperature	-25°C~50°C
IP Rating	IP66
Control Mode	ON/OFF Or DMX512
Size	L270*260H
Accessory	Cowl/Spike



LD-FT310-54



Specifications

Code	LD-FT310-54
Material	Die-casting aluminum housing with high corrosion resistance, Tempered glass cover.
LED Brand	CREE
LED Power	54W
Voltage	AC85-265V OR DC24V
Lumen	90-120LM/W
Color	Single Color/ RGBW With DMX512
Beam Angle	8° /15° /30° /45° /60° /15° × 45° /10° × 60°
Work Temperature	-25°C~50°C
IP Rating	IP66
Control Mode	ON/OFF Or DMX512
Size	L310*260H
Accessory	Cowl/Spike

Makes your life brighter



LD-S47-1



Specifications

Code	LD-S47-1
Material	Die-casting aluminum housing with high corrosion resistance, Tempered glass cover.
LED Brand	CREE
LED Power	2W
Voltage	DC24V
Lumen	90~120LM/W
Color	Single Color
Beam Angle	8° /15° /30° /45° /60° /15° × 45° /10° × 60°
Work Temperature	-25°C~50°C
IP Rating	IP66
Control Mode	ON/OFF
Size	D47*85H
Accessory	Cowl/Spike/Honey Comb



LD-S75-3



Specifications

Code	LD-S75-3
Material	Die-casting aluminum housing with high corrosion resistance, Tempered glass cover.
LED Brand	CREE
LED Power	6W
Voltage	AC85-265V OR DC24V
Lumen	90~120LM/W
Color	Single Color
Beam Angle	8° /15° /30° /45° /60° /15° × 45° /10° × 60°
Work Temperature	-25°C~50°C
IP Rating	IP66
Control Mode	ON/OFF
Size	D75*142H
Accessory	Cowl/Spike/Honey Comb

Makes your life brighter



LD-IST26-1



Specifications

Code	LD-IST26-1
Material	Die-casting aluminum housing with high corrosion resistance, Tempered glass cover.
LED Brand	CREE
LED Power	2W
Voltage	DC24V
Lumen	90~120LM/W
Color	Single Color
Beam Angle	30° /45° /60°
Work Temperature	-25°C~50°C
IP Rating	IP66
Control Mode	ON/OFF
Size	D26*61*73 H /D26*81*73 H (With Cowl)
Accessory	Cowl/Spike/Honey Comb



LD-IST50-1



Specifications

Code	LD-IST50-1
Material	Die-casting aluminum housing with high corrosion resistance, Tempered glass cover.
LED Brand	CREE
LED Power	4W/6W
Voltage	DC24V
Lumen	90~120LM/W
Color	Single Color
Beam Angle	8° /15° /30° /45° /60° /15° x 45° /10° x 60°
Work Temperature	-25°C~50°C
IP Rating	IP66
Control Mode	ON/OFF
Size	D50*W80*84H/D50*W115*86H(With Cowl)
Accessory	Cowl/Spike/Honey Comb

Makes your life brighter



LD-IST55-1



Specifications

Code	LD-IST55-1
Material	Die-casting aluminum housing with high corrosion resistance, Tempered glass cover.
LED Brand	CREE
LED Power	8W/12W
Voltage	AC85-265V / DC24V
Lumen	90-120LM/W
Color	Single Color
Beam Angle	8° /15° /30° /45° /60° /15° × 45° /10° × 60°
Work Temperature	-25°C~50°C
IP Rating	IP66
Control Mode	ON/OFF
Size	D55*118*97H/D55*170*100H/(With Cowl)
Accessory	Cowl/Spike/Honey Comb



LD-IST70-1



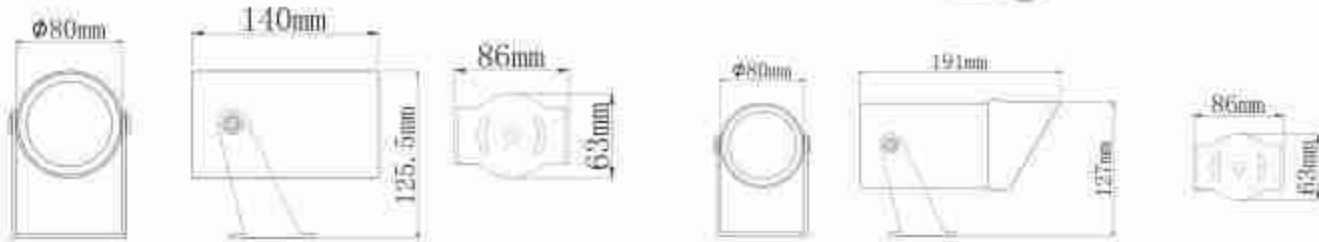
Specifications

Code	LD-IST70-1
Material	Die-casting aluminum housing with high corrosion resistance, Tempered glass cover.
LED Brand	CREE
LED Power	15W
Voltage	AC85-265V / DC24V
Lumen	90-120LM/W
Color	Single Color
Beam Angle	8° /15° /30° /45° /60° /15° × 45° /10° × 60°
Work Temperature	-25°C~50°C
IP Rating	IP66
Control Mode	ON/OFF
Size	D70*98*146H/D70*162*116H/(With Cowl)
Accessory	Cowl/Spike/Honey Comb

Makes your life brighter



LD-IST80-1

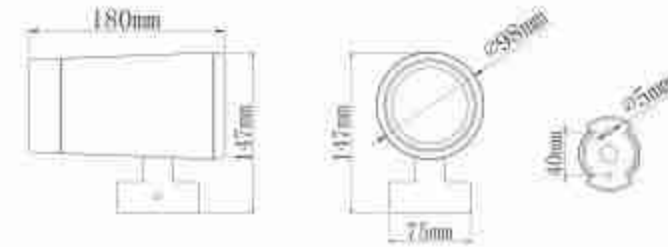


Specifications

Code	LD-IST80-1
Material	Die-casting aluminum housing with high corrosion resistance, Tempered glass cover.
LED Brand	CREE
LED Power	13W/15W/18W
Voltage	AC85-265V / DC24V
Lumen	90-120LM/W
Color	Single Color
Beam Angle	8° /15° /30° /45° /60° /15° × 45° /10° × 60°
Work Temperature	-25°C-50°C
IP Rating	IP66
Control Mode	ON/OFF
Size	D80*140*125.5H/D80*191*127H/(With Cowl)
Accessory	Cowl/Spike/Honey Comb



LD-IST98-1



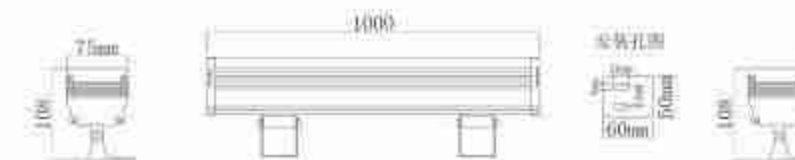
Specifications

Code	LD-IST98-1
Material	Die-casting aluminum housing with high corrosion resistance, Tempered glass cover.
LED Brand	CREE
LED Power	15W/18W
Voltage	AC85-265V / DC24V
Lumen	90-120LM/W
Color	Single Color
Beam Angle	8° /15° /30° /45° /60° /15° × 45° /10° × 60°
Work Temperature	-25°C-50°C
IP Rating	IP66
Control Mode	ON/OFF
Size	D98*180*147H
Accessory	Cowl/Spike/Honey Comb

LED Wall washer Series



LD-DT1000-48



Specifications

1. Adopting high quality chips light source such as (Epistar or CREE), with high brightness, good color rendering, soft and pure light.
2. High quality drivers, such as Mean Well (Reached UL standard)
3. Lamp housing is made of best quality extruded aluminum with polyester spraying treatment on surface. plugs on two ends use die-casting aluminum ; transparent tempered glass lamp surface ; silicone rubber sealing; adjustable bracket , fast and convenient installation.
4. No pollution elements contained.
5. No IR light source & UV- assisted design, enabling protection of the illuminated objects .
6. Directional irradiation, symmetrical light color and high brightness.
7. Constant current driver to ensure LED lifespan.
8. Single color or RGB, internal or external driver control available.
9. IP Rating: IP65 ---strict waterproof test for every lamp, before it goes our form our factory.
10. Got CE, RoHS, ip65 or FCC certificates.
11. Applications : suitable for partial lighting , accent lighting for flood lighting of large buildings, bridges, for ancient architectures and sports places, ect.

Specifications

Code	LD-DT1000-48
Material	Extruded-aluminum housing with high corrosion resistance, Tempered glass cover.
LED Brand	CREE
LED Power	48W/54W
Voltage	AC85-265V / DC24V
Lumen	90-120LM/W
Color	Single Color / RGBW With DMX512
Beam Angle	8° /15° /30° /45° /60° /15° × 45° /10° × 60°
Work Temperature	-25℃-50℃
IP Rating	IP66
Control Mode	ON/OFF
Size	L1000*W75*H108
Accessory	Side cover

Makes your life brighter



LD-CT1000-36

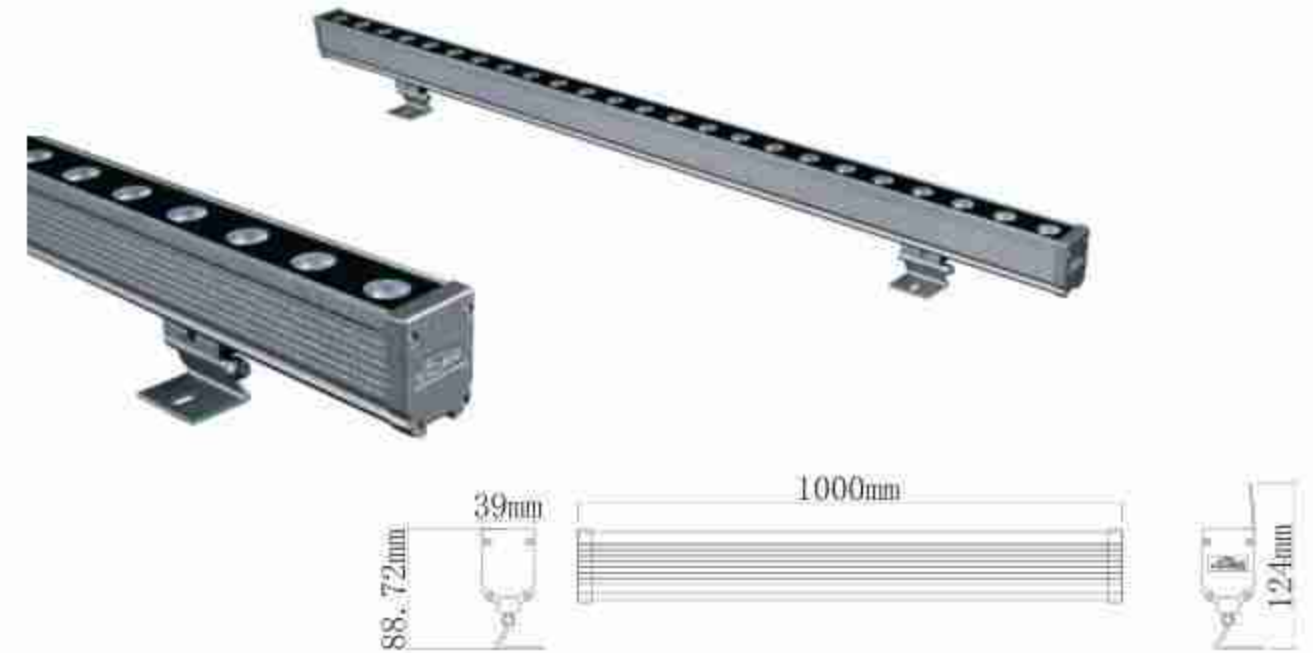


Specifications

Code	LD-CT1000-36
Material	Extruded-aluminum housing with high corrosion resistance, Tempered glass cover.
LED Brand	CREE
LED Power	36W
Voltage	AC85-265V / DC24V
Lumen	90-120LM/W
Color	Single Color / RGBW With DMX512
Beam Angle	8° /15° /30° /45° /60° /15° × 45° /10° × 60°
Work Temperature	-25°C-50°C
IP Rating	IP66
Control Mode	ON/OFF
Size	L1000*W49*105H
Accessory	Side cover



LD-XT1000-24



Specifications

Code	LD-XT1000-24
Material	Extruded-aluminum housing with high corrosion resistance, Tempered glass cover.
LED Brand	CREE
LED Power	24W
Voltage	AC85-265V / DC24V
Lumen	90-120LM/W
Color	Single Color / RGBW With DMX512
Beam Angle	8° /15° /30° /45° /60° /15° × 45° /10° × 60°
Work Temperature	-25°C-50°C
IP Rating	IP66
Control Mode	ON/OFF
Size	L1000*W39*89H
Accessory	Side cover

Makes your life brighter



LD-HT1000-54

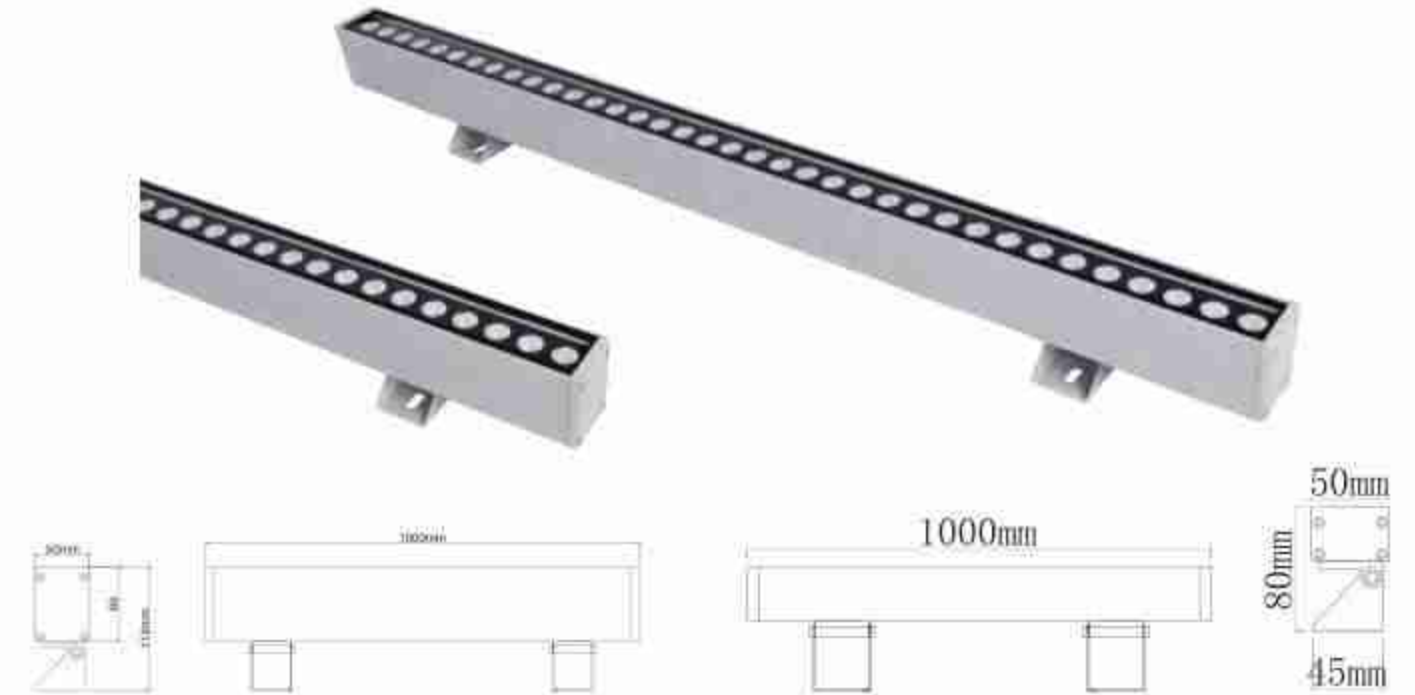


Specifications

Code	LD-HT1000-54
Material	Extruded-aluminum housing with high corrosion resistance, Tempered glass cover.
LED Brand	CREE
LED Power	54W
Voltage	AC85-265V / DC24V
Lumen	90-120LM/W
Color	Single Color / RGBW With DMX512
Beam Angle	8° /15° /30° /45° /60° /15° × 45° /10° × 60°
Work Temperature	-25°C~50°C
IP Rating	IP66
Control Mode	ON/OFF
Size	L1000*W37*89H
Accessory	Side cover



LD-PT1000-36



Specifications

Code	LD-PT1000-36
Material	Extruded-aluminum housing with high corrosion resistance, Tempered glass cover.
LED Brand	CREE
LED Power	36W
Voltage	AC85-265V / DC24V
Lumen	90-120LM/W
Color	Single Color / RGBW With DMX512
Beam Angle	8° /15° /30° /45° /60° /15° × 45° /10° × 60°
Work Temperature	-25°C~50°C
IP Rating	IP66
Control Mode	ON/OFF
Size	L1000*W50*80H/(H114)
Accessory	Side cover

Makes your life brighter



LD-WT1000-36

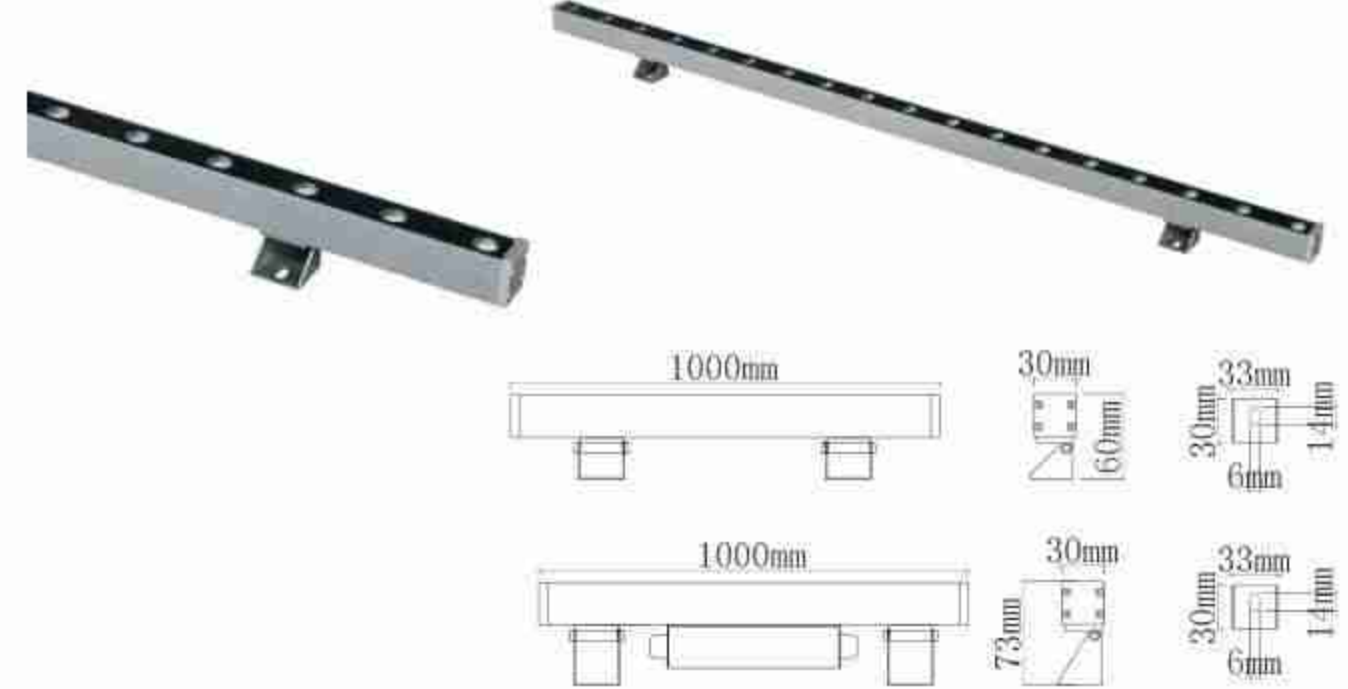


Specifications

Code	LD-WT1000-36
Material	Extruded-aluminum housing with high corrosion resistance, Tempered glass cover.
LED Brand	CREE
LED Power	36W
Voltage	AC85-265V / DC24V
Lumen	90-120LM/W
Color	Single Color / RGBW With DMX512
Beam Angle	8° /15° /30° /45° /60° /15° × 45° /10° × 60°
Work Temperature	-25°C~50°C
IP Rating	IP66
Control Mode	ON/OFF
Size	L1000*W37*60H
Accessory	Side cover



LD-IT1000-18



Specifications

Code	LD-IT1000-18
Material	Extruded-aluminum housing with high corrosion resistance, Tempered glass cover.
LED Brand	CREE
LED Power	18W
Voltage	AC85-265V / DC24V
Lumen	90-120LM/W
Color	Single Color/ RGBW With DMX512
Beam Angle	30° /45° /60° /15° × 45° /10° × 60°
Work Temperature	-25°C~50°C
IP Rating	IP66
Control Mode	ON/OFF
Size	L1000*W30*60H/ L1000*W30*73H/ (For AC220V)
Accessory	Side cover

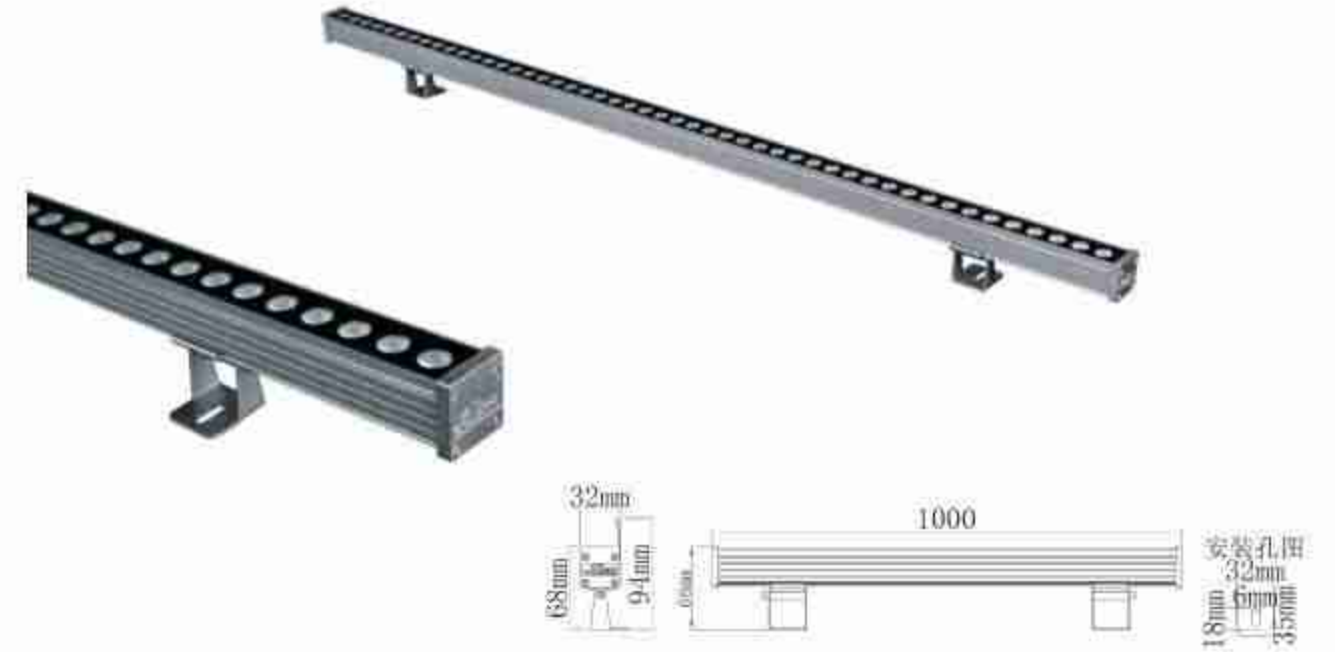
Makes your life brighter



LD-XXF1000-48



LD-XXE1000-48



Specifications

Code	LD-XXF1000-48
Material	Extruded-aluminum housing with high corrosion resistance, Tempered glass cover.
LED Brand	CREE
LED Power	12W
Voltage	DC24V
Lumen	90-120LM/W
Color	Single Color
Beam Angle	30° /45° /60° /15° × 45° /10° × 60°
Work Temperature	-25°C~50°C
IP Rating	IP66
Control Mode	ON/OFF
Size	L1000*W26*43H
Accessory	Side cover

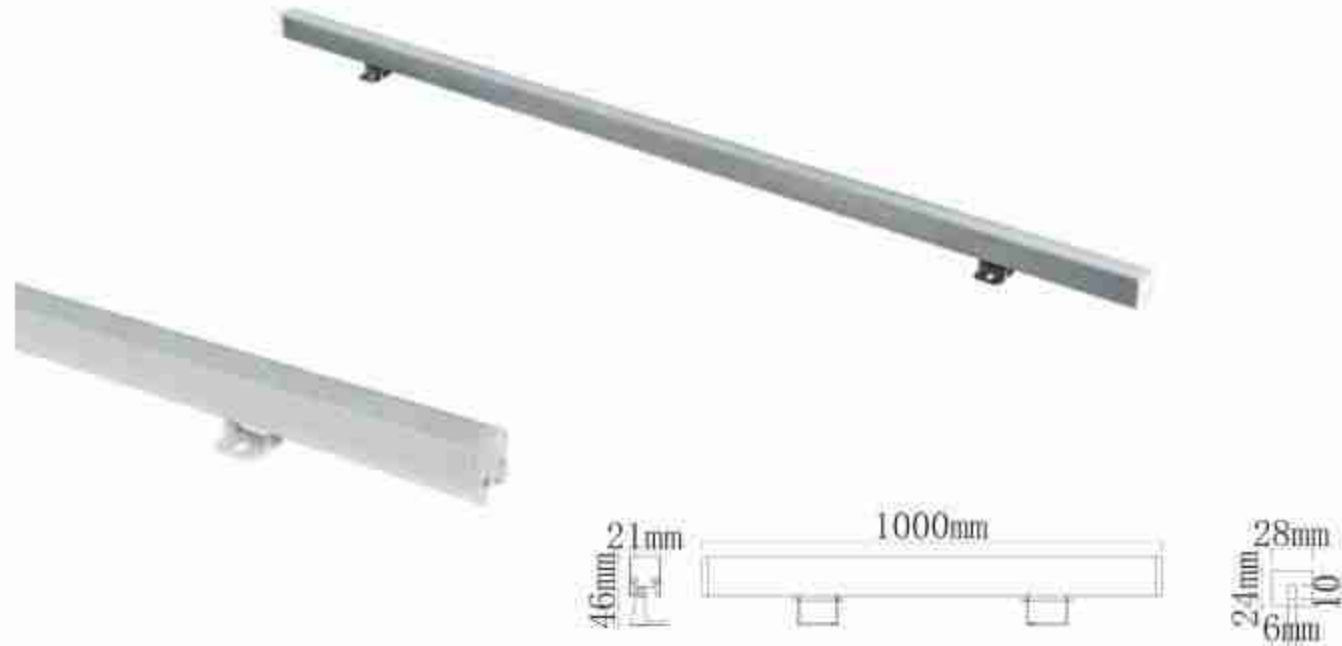
Specifications

Code	LD-XXE1000-48
Material	Extruded-aluminum housing with high corrosion resistance, Tempered glass cover.
LED Brand	CREE
LED Power	12W
Voltage	DC24V
Lumen	90-120LM/W
Color	Single Color/ RGBW With DMX512
Beam Angle	30° /45° /60° /15° × 45° /10° × 60°
Work Temperature	-25°C~50°C
IP Rating	IP66
Control Mode	ON/OFF
Size	L1000*W32*68H
Accessory	Side cover

Makes your life brighter



LD-BT1000-120

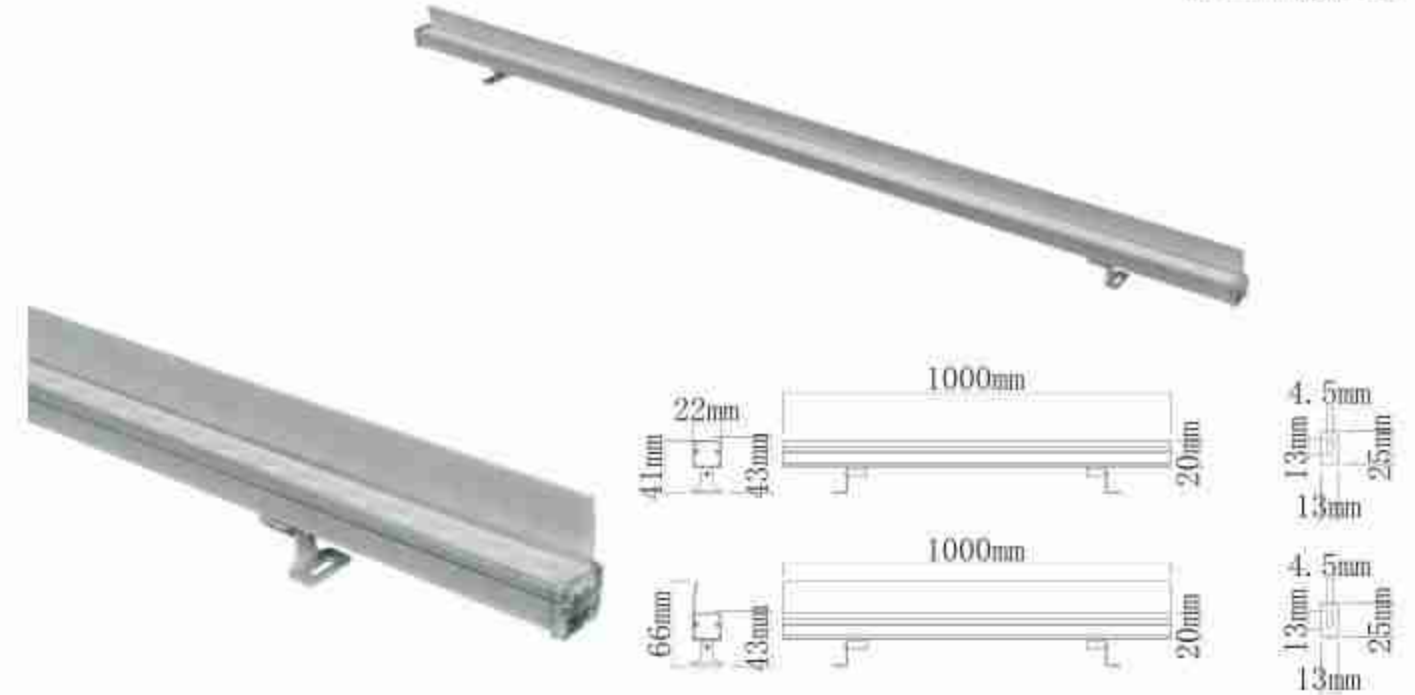


Specifications

Code	LD-BT1000-120
Material	Extruded-aluminum housing with high corrosion resistance, Tempered glue cover.
LED Brand	CREE
LED Power	12W
Voltage	DC24V
Lumen	90~120LM/W
Color	Single Color
Beam Angle	120°
Work Temperature	-25°C~50°C
IP Rating	IP66
Control Mode	ON/OFF
Size	L1000*W21*H46
Accessory	Side cover



LD-LT1000-48



Specifications

Code	LD-LT1000-48
Material	Extruded-aluminum housing with high corrosion resistance, Tempered PC cover.
LED Brand	CREE
LED Power	12W
Voltage	DC24V
Lumen	90~120LM/W
Color	Single Color
Beam Angle	120°
Work Temperature	-25°C~50°C
IP Rating	IP66
Control Mode	ON/OFF
Size	L1000*W22*H41
Accessory	Side cover

LED Inground Light Series



Specifications

1. Die-casting aluminum housing with polyester spraying treatment on surface, shockproof and corrosion resistance.
2. Seal-ring -imported and anti-aging rubber.
3. Transparent tempered glass lamp.
4. Adjustable aluminum alloy bracket, die-casting angle is adjustable, easy and firm installation.
5. High-speed heat dissipation structure design -effectively improve LED lifespan.
6. No pollution elements contained
7. No IR light source &UV assisted design, enabling protection of the illuminated objects.
8. Lamp temperature increasing slowly, excellent heat dissipation, stable working, reliable sealing, waterproof and resistance.
9. IP Rating: IP67 --strict waterproof test for every lamp, before it goes out from our factory.
10. Got CE, RoHS, IP67 or FCC certificates.
11. Applications: suitable for partial lighting , accent lighting for floodlighting of large buildings, bridges, for ancient architectures and sports places.

Makes your life brighter



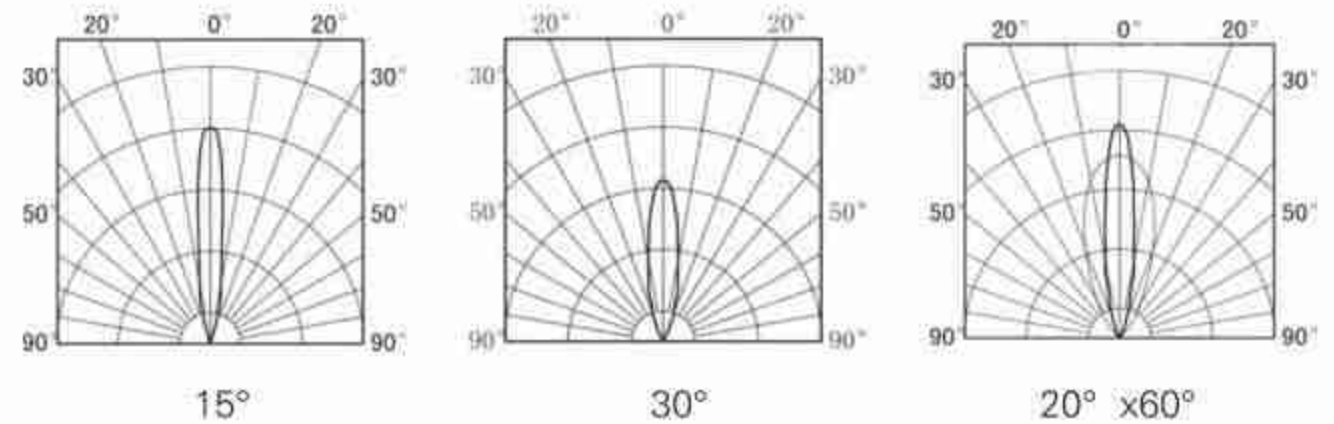
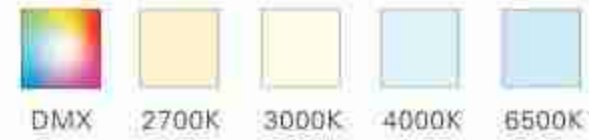
LD-TDM1000-36



Specifications

Code	LD-TDM1000-36
Material	Extruded-aluminum housing with high corrosion resistance, Tempered glass cover.
LED Brand	CREE
LED Power	36W/48W
Voltage	AC85-265V / DC24V
Lumen	90-120LM/W
Color	Single Color / RGBW With DMX512
Beam Angle	8° /15° /30° /45° /60° /15° × 45° /10° × 60°
Work Temperature	-25°C-50°C
IP Rating	IP67
Control Mode	ON/OFF
Size	L1000*W90*H104.5H
Accessory	Honey Comb

Distribution Curve



Makes your life brighter



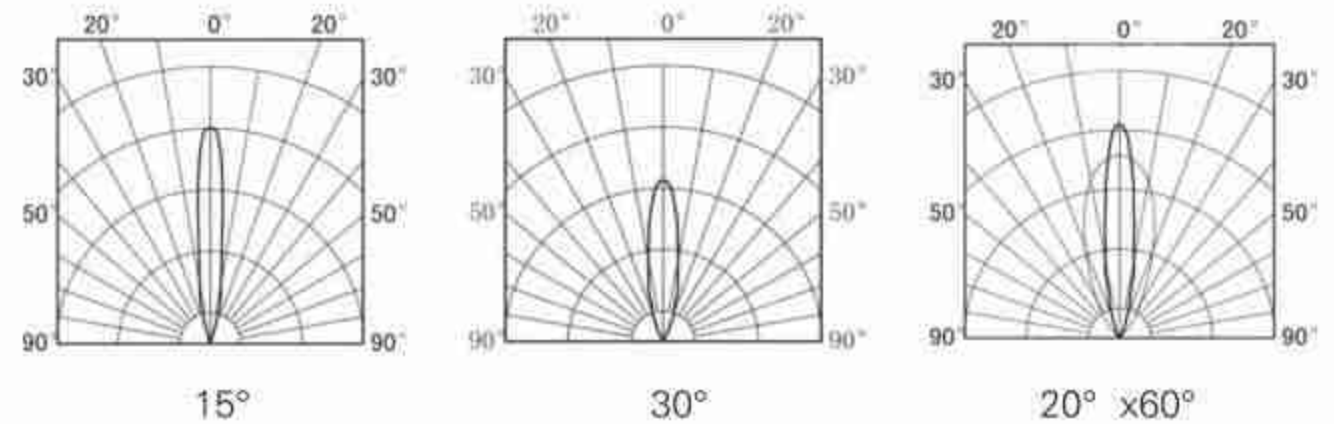
LD-XDM1000-24



Specifications

Code	LD-XDM1000-24
Material	Extruded-aluminum housing with high corrosion resistance, Tempered glass cover.
LED Brand	CREE
LED Power	24W/36W
Voltage	AC85-265V / DC24V
Lumen	90-120LM/W
Color	Single Color / RGBW With DMX512
Beam Angle	8° /15° /30° /45° /60° /15° × 45° /10° × 60°
Work Temperature	-25℃-50℃
IP Rating	IP67
Control Mode	ON/OFF
Size	L1000*W67*78H
Accessory	Honey Comb

Distribution Curve



Makes your life brighter



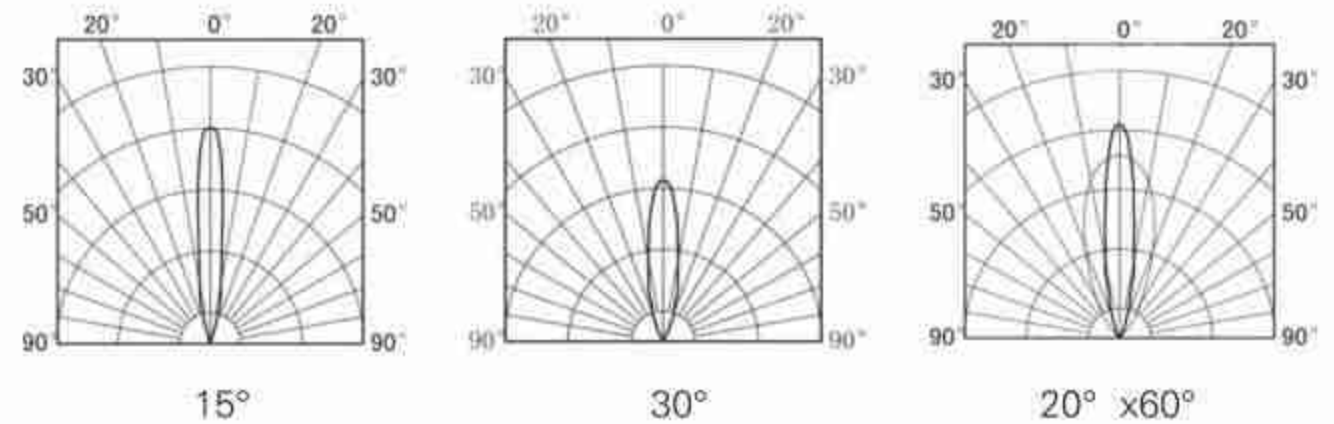
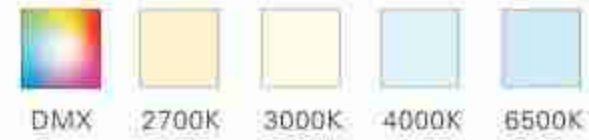
LD-FDM1000-24



Specifications

Code	LD-FDM1000-24
Material	Extruded-aluminum housing with high corrosion resistance, Tempered glass cover.
LED Brand	CREE
LED Power	24W/36W
Voltage	AC85-265V / DC24V
Lumen	90-120LM/W
Color	Single Color / RGBW With DMX512
Beam Angle	8° /15° /30° /45° /60° /15° × 45° /10° × 60°
Work Temperature	-25℃-50℃
IP Rating	IP67
Control Mode	ON/OFF
Size	L1000*W43*80H
Accessory	Honey Comb

Distribution Curve



Makes your life brighter



LD-XTM1000-108



Specifications

Code	LD-XTM1000-108
Material	Extruded-aluminum housing with high corrosion resistance, Tempered glass cover.
LED Brand	CREE
LED Power	20W
Voltage	DC24V
Lumen	90-120LM/W
Color	Single Color
Beam Angle	120°
Work Temperature	-25°C~50°C
IP Rating	IP67
Control Mode	ON/OFF
Size	L1000*W36*H67
Accessory	NO



LD-XPMT1000-240



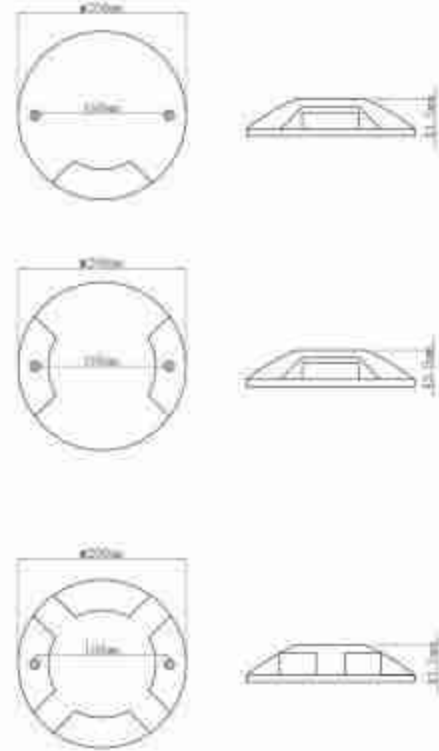
Specifications

Code	LD-XPMT1000-240
Material	Extruded-aluminum housing with high corrosion resistance, Tempered glass cover.
LED Brand	CREE
LED Power	15W
Voltage	DC24V
Lumen	90-120LM/W
Color	Single Color / RGBW With DMX512
Beam Angle	120°
Work Temperature	-25°C~50°C
IP Rating	IP67
Control Mode	ON/OFF
Size	L1000*W32*H75
Accessory	NO

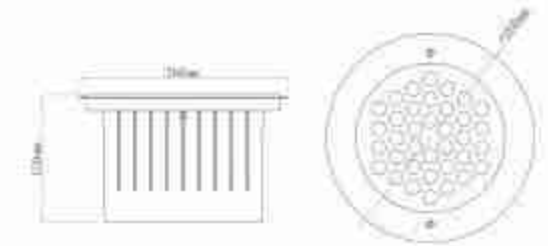
Makes your life brighter



LD-IST200



LD-DM260-36



Specifications

Code	LD-IST200
Material	Die-casting aluminum housing with high corrosion resistance, Tempered glass cover.
LED Brand	CREE
LED Power	3W/6W/12W
Voltage	AC85-265V
Lumen	90~120LM/W
Color	Single Color
Beam Angle	180°
Work Temperature	-25°C~50°C
IP Rating	IP67
Control Mode	ON/OFF
Size	D200*43.5H
Accessory	NO

Specifications

Code	LD-DM260-36
Material	Die-casting aluminum housing with high corrosion resistance, Tempered glass cover.
LED Brand	CREE
LED Power	36W
Voltage	AC85-265V / DC24V
Lumen	90~120LM/W
Color	Single Color / RGBW With DMX512
Beam Angle	8° /15° /30° /45° /60° /15° × 45° /10° × 60°
Work Temperature	-25°C~50°C
IP Rating	IP67
Control Mode	ON/OFF
Size	D260*159H
Accessory	Honey Comb

Makes your life brighter



LD-DM210-24



Specifications

Code	LD-DM210-24
Material	Die-casting aluminum housing with high corrosion resistance, Tempered glass cover.
LED Brand	CREE
LED Power	24W
Voltage	AC85-265V / DC24V
Lumen	90-120LM/W
Color	Single Color / RGBW With DMX512
Beam Angle	8° / 15° / 30° / 45° / 60° / 15° × 45° / 10° × 60°
Work Temperature	-25°C~50°C
IP Rating	IP67
Control Mode	ON/OFF
Size	D210*160H
Accessory	Honey Comb



LD-DM160-9



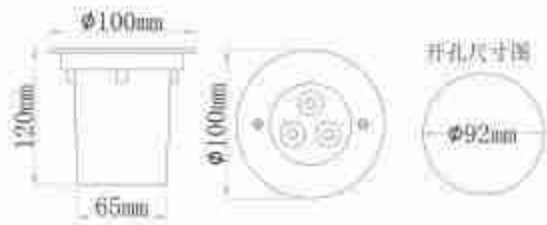
Specifications

Code	LD-DM160-9
Material	Die-casting aluminum housing with high corrosion resistance, Tempered glass cover.
LED Brand	CREE
LED Power	12W
Voltage	AC85-265V / DC24V
Lumen	90-120LM/W
Color	Single Color / RGBW With DMX512
Beam Angle	8° / 15° / 30° / 45° / 60° / 15° × 45° / 10° × 60°
Work Temperature	-25°C~50°C
IP Rating	IP67
Control Mode	ON/OFF
Size	D160*155H
Accessory	Honey Comb

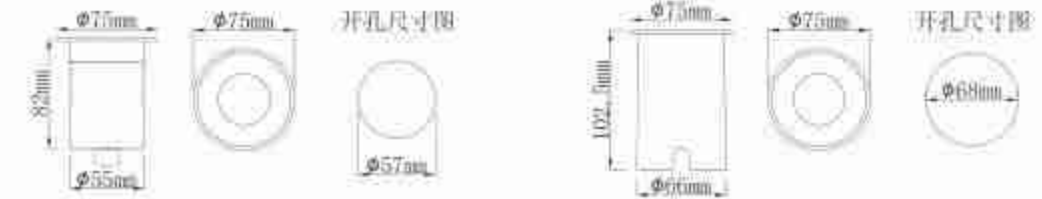
Makes your life brighter



LD-DM100-3



LD-DM75-1



Specifications

Code	LD-DM100-3
Material	Die-casting aluminum housing with high corrosion resistance, Tempered glass cover.
LED Brand	CREE
LED Power	6W
Voltage	AC85-265V / DC24V
Lumen	90-120LM/W
Color	Single Color
Beam Angle	8° /15° /30° /45° /60° /15° × 45° /10° × 60°
Work Temperature	-25℃~50℃
IP Rating	IP67
Control Mode	ON/OFF
Size	D100*120H
Accessory	Honey Comb

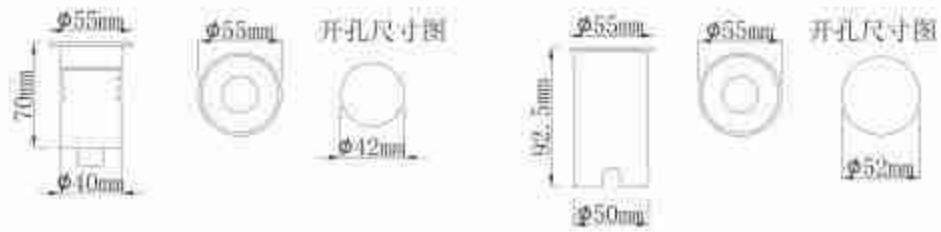
Specifications

Code	LD-DM75-1
Material	Die-casting aluminum housing with high corrosion resistance, Tempered glass cover.
LED Brand	CREE
LED Power	5W
Voltage	DC24V
Lumen	90-120LM/W
Color	Single Color
Beam Angle	8° /15° /30° /45° /60° /15° × 45° /10° × 60°
Work Temperature	-25℃~50℃
IP Rating	IP67
Control Mode	ON/OFF
Size	D75*82H/D75*102.5H
Accessory	Honey Comb

Makes your life brighter



LD-DM55-1



Specifications

Code	LD-DM55-1
Material	Die-casting aluminum housing with high corrosion resistance, Tempered glass cover.
LED Brand	CREE
LED Power	2W
Voltage	DC24V
Lumen	90~120LM/W
Color	Single Color
Beam Angle	8° /15° /30° /45° /60° /15° × 45° /10° × 60°
Work Temperature	-25℃~50℃
IP Rating	IP67
Control Mode	ON/OFF
Size	D55*70H/D55*92.5H
Accessory	Honey Comb



LD-IST215-8



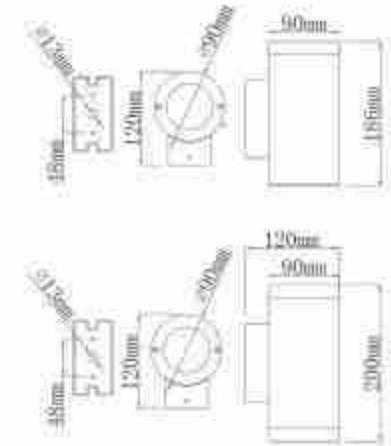
Specifications

Code	LD-IST215-8
Material	Die-casting aluminum housing with high corrosion resistance, Tempered glass cover.
LED Brand	CREE
LED Power	8W
Voltage	AC85~265V OR DC24V
Lumen	90~120LM/W
Color	Single Color
Beam Angle	120°
Work Temperature	-25℃~50℃
IP Rating	IP54
Control Mode	ON/OFF
Size	L215*37H
Accessory	NO

LED Wall Light Series



LD-BD90-1



Specifications

1. Die-casting aluminum housing with polyester spraying treatment on surface, shockproof and corrosion resistance.
2. Seal-ring—imported and anti-aging rubber.
3. Transparent tempered glass lamp.
4. Adjustable aluminum alloy bracket, die-casting angle is adjustable, easy and firm installation.
5. High-speed heat dissipation structure design—effectively improve LED lifespan.
6. No pollution elements contained
7. No IR light source & UV assisted design, enabling protection of the illuminated objects.
8. Lamp temperature increasing slowly, excellent heat dissipation, stable working, reliable sealing, waterproof and resistance.
9. IP Rating: IP66—strict waterproof test for every lamp, before it goes out from our factory.
10. Got CE, RoHS, IP66 or FCC certificates.
11. Applications: suitable for partial lighting, accent lighting for floodlighting of large buildings, bridges, for ancient architectures and sports places.

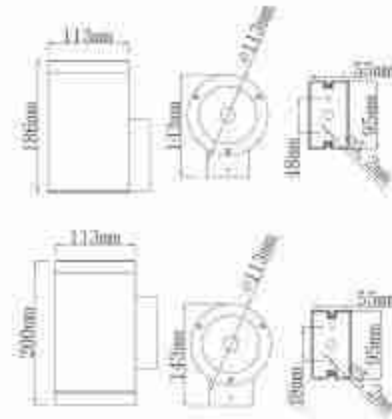
Specifications

Code	LD-BD90-1
Material	Die-casting aluminum housing with high corrosion resistance, Tempered glass cover.
LED Brand	CREE
LED Power	10W/15W
Voltage	AC85-265V / DC24V
Lumen	90-120LM/W
Color	Single Color
Beam Angle	12° /24° /38°
Work Temperature	-25°C~50°C
IP Rating	IP66
Control Mode	ON/OFF
Size	D90*186H/D90*200H
Accessory	Honey Comb

Makes your life brighter



LD-BD113-1

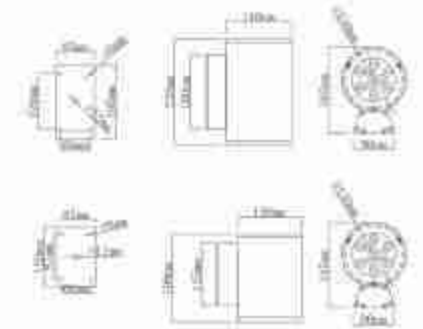


Specifications

Code	LD-BD113-1
Material	Die-casting aluminum housing with high corrosion resistance, Tempered glass cover.
LED Brand	CREE
LED Power	20W/30W
Voltage	AC85-265V / DC24V
Lumen	90-120LM/W
Color	Single Color
Beam Angle	12° /24° /38°
Work Temperature	-25℃~50℃
IP Rating	IP66
Control Mode	ON/OFF
Size	D113*186H/D113*200H
Accessory	Honey Comb



LD-BD140-9



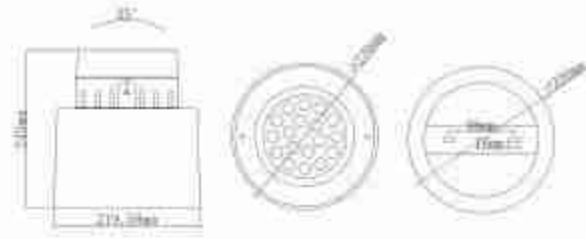
Specifications

Code	LD-BD140-9
Material	Die-casting aluminum housing with high corrosion resistance, Tempered glass cover.
LED Brand	CREE
LED Power	18W/36W
Voltage	AC85-265V / DC24V
Lumen	90-120LM/W
Color	Single Color
Beam Angle	8° /15° /30° /45° /60° /15° × 45° /10° × 60°
Work Temperature	-25℃~50℃
IP Rating	IP66
Control Mode	ON/OFF
Size	D140*190H/D140*230H
Accessory	Honey Comb

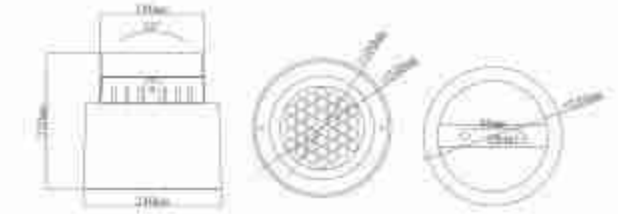
Makes your life brighter



LD-TS150-24



LD-TS180-36



Specifications

Code	LD-TS150-24
Material	Die-casting aluminum housing with high corrosion resistance, Tempered glass cover.
LED Brand	CREE
LED Power	24W
Voltage	AC85-265V / DC24V
Lumen	90-120LM/W
Color	Single Color/ RGBW With DMX512
Beam Angle	8° /15° /30° /45° /60° /15° × 45° /10° × 60°
Work Temperature	-25°C~50°C
IP Rating	IP66
Control Mode	ON/OFF
Size	D220*245H
Accessory	Cowl/Spike/Honey Comb

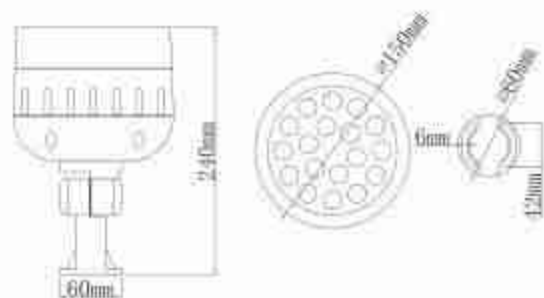
Specifications

Code	LD-TS180-36
Material	Die-casting aluminum housing with high corrosion resistance, Tempered glass cover.
LED Brand	CREE
LED Power	36W
Voltage	AC85-265V / DC24V
Lumen	90-120LM/W
Color	Single Color/ RGBW With DMX512
Beam Angle	8° /15° /30° /45° /60° /15° × 45° /10° × 60°
Work Temperature	-25°C~50°C
IP Rating	IP66
Control Mode	ON/OFF
Size	D240*250H
Accessory	Cowl/Spike/Honey Comb

Makes your life brighter



LD-ZS150-24

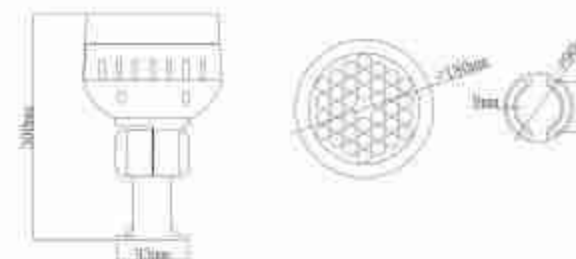


Specifications

Code	LD-ZS150-24
Material	Die-casting aluminum housing with high corrosion resistance, Tempered glass cover.
LED Brand	CREE
LED Power	24W
Voltage	AC85-265V / DC24V
Lumen	90-120LM/W
Color	Single Color/ RGBW With DMX512
Beam Angle	8° /15° /30° /45° /60° /15° × 45° /10° × 60°
Work Temperature	-25°C~50°C
IP Rating	IP66
Control Mode	ON/OFF
Size	D150*240H
Accessory	Cowl/Spike/Honey Comb



LD-ZS180-36



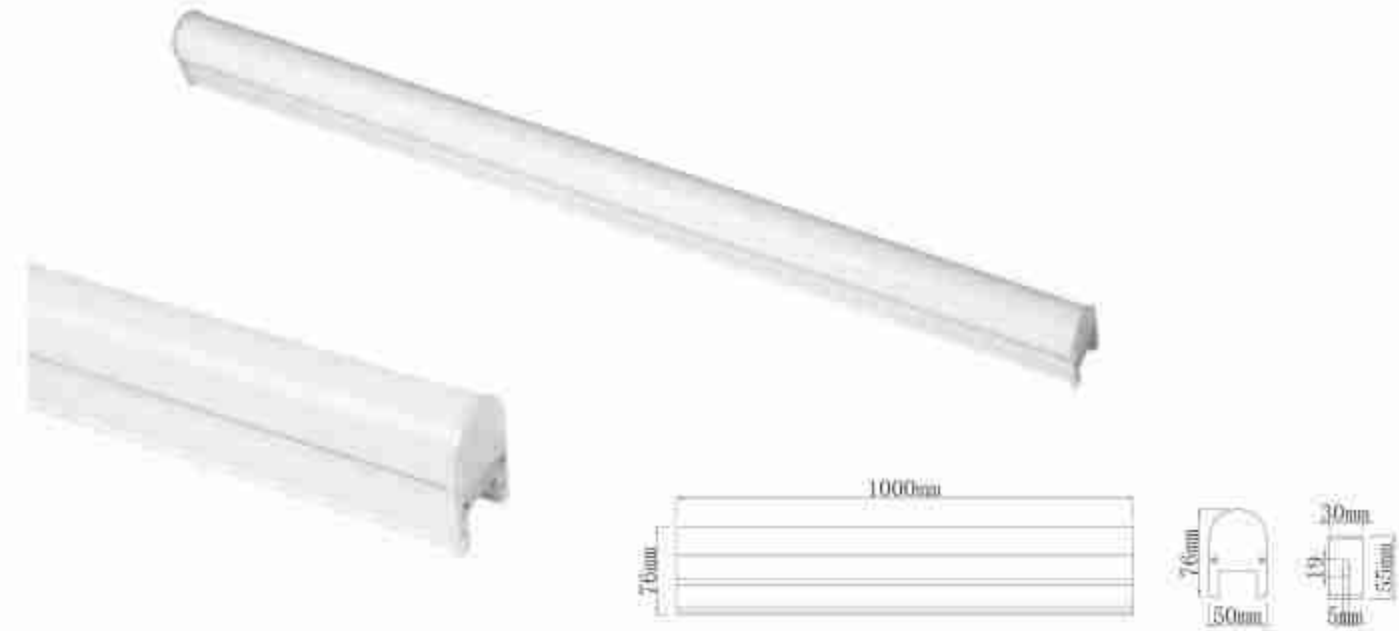
Specifications

Code	LD-ZS180-36
Material	Die-casting aluminum housing with high corrosion resistance, Tempered glass cover.
LED Brand	CREE
LED Power	36W
Voltage	AC85-265V / DC24V
Lumen	90-120LM/W
Color	Single Color/ RGBW With DMX512
Beam Angle	8° /15° /30° /45° /60° /15° × 45° /10° × 60°
Work Temperature	-25°C~50°C
IP Rating	IP66
Control Mode	ON/OFF
Size	D180*300H
Accessory	Cowl/Spike/Honey Comb

LED Tube Series



LD-LKB1000-48



Specifications

LED digital tube is composed of light emitting diodes with different colors (red, green, blue, yellow, white), PC lampshades and digital controller, etc. Which produces a new and colorful light source and has the lighting effects of chasing and glimmering. As the newest application and development of electro-optical technology, it possesses both the softness of daylight and the gorgeousness of neon lamps. Digital tubes are widely used in crossroads, river protection railing, garden and building exterior lighting, etc.

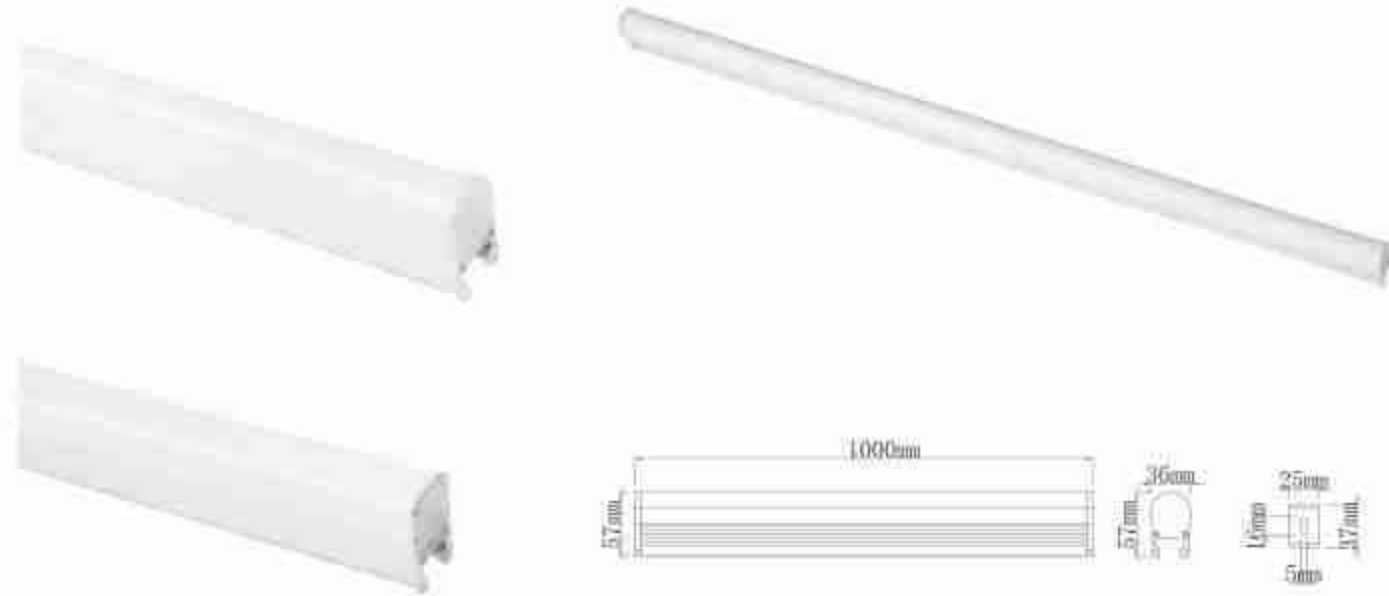
Specifications

Code	LD-LKB1000-48
Material	Extruded-aluminum housing with high corrosion resistance, Tempered glue cover.
LED Brand	CREE
LED Power	12W
Voltage	DC24V
Lumen	90-120LM/W
Color	Single Color/ RGBW With DMX512
Beam Angle	120°
Work Temperature	-25°C~50°C
IP Rating	IP66
Control Mode	ON/OFF
Size	L1000*W50*76H
Accessory	NO

Makes your life brighter



LD-LKC1000-48

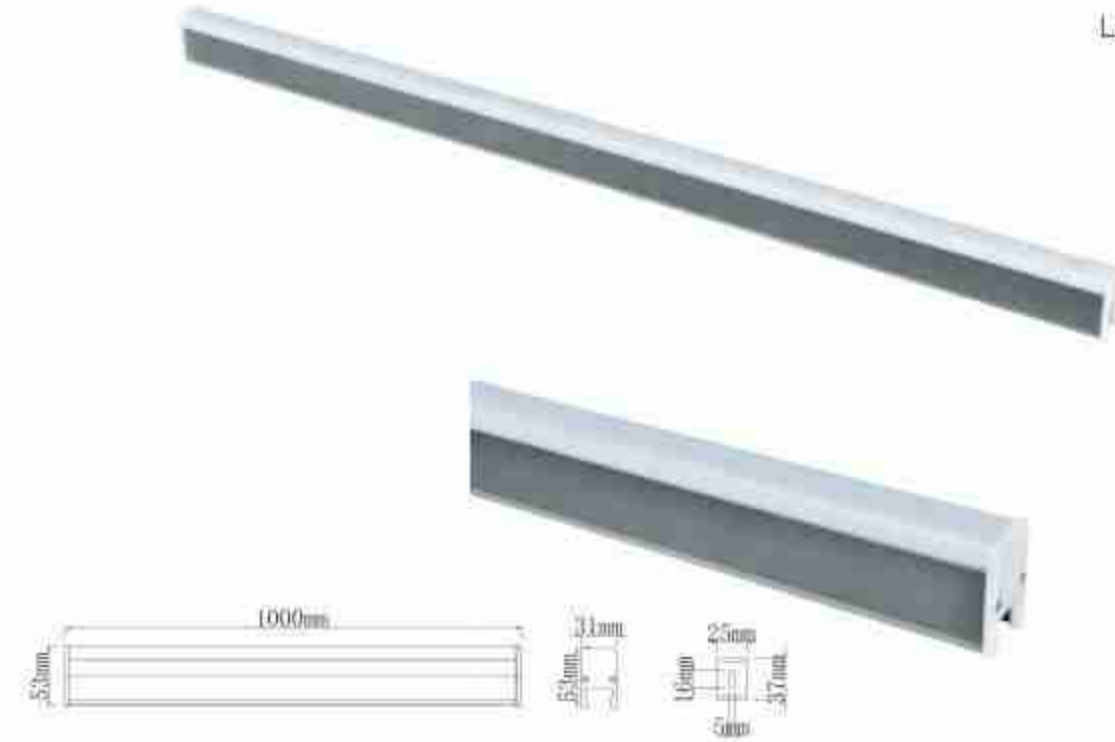


Specifications

Code	LD-LKC1000-48
Material	Extruded-aluminum housing with high corrosion resistance, Tempered glue cover.
LED Brand	CREE
LED Power	12W
Voltage	DC24V
Lumen	90-120LM/W
Color	Single Color/ RGBW With DMX512
Beam Angle	120°
Work Temperature	-25°C~50°C
IP Rating	IP66
Control Mode	ON/OFF
Size	L1000*W36*57H
Accessory	NO



LD-LKF1000-48



Specifications

Code	LD-LKF1000-48
Material	Extruded-aluminum housing with high corrosion resistance, Tempered glue cover.
LED Brand	CREE
LED Power	12W
Voltage	DC24V
Lumen	90-120LM/W
Color	Single Color/ RGBW With DMX512
Beam Angle	120°
Work Temperature	-25°C~50°C
IP Rating	IP66
Control Mode	ON/OFF
Size	L1000*W31*53H
Accessory	NO

Makes your life brighter



LD-LKM1000-48



Specifications

Code	LD-LKM1000-48
Material	Extruded-aluminum housing with high corrosion resistance, Tempered glue cover.
LED Brand	CREE
LED Power	12W
Voltage	DC24V
Lumen	90~120LM/W
Color	Single Color/ RGBW With DMX512
Beam Angle	120°
Work Temperature	-25℃~50℃
IP Rating	IP66
Control Mode	ON/OFF
Size	L1000*W31*H33
Accessory	NO



LD-YD90-12



Specifications

Code	LD-YD90-12
Material	Die-casting aluminum housing with high corrosion resistance, Tempered PC cover.
LED Brand	CREE
LED Power	3W
Voltage	DC24V
Lumen	90~120LM/W
Color	Single Color/ RGBW With DMX512
Beam Angle	120°
Work Temperature	-25℃~50℃
IP Rating	IP66
Control Mode	ON/OFF
Size	D90*H51
Accessory	NO

Makes your life brighter



LD-YD120-18



Specifications

Code	LD-YD120-18
Material	Die-casting aluminum housing with high corrosion resistance, Tempered PC cover.
LED Brand	CREE
LED Power	5W
Voltage	DC24V
Lumen	90~120LM/W
Color	Single Color/ RGBW With DMX512
Beam Angle	120°
Work Temperature	-25°C~50°C
IP Rating	IP66
Control Mode	ON/OFF
Size	D120*71H
Accessory	NO



LD-YD85-12



Specifications

Code	LD-YD85-12
Material	Die-casting aluminum housing with high corrosion resistance, Tempered PC cover.
LED Brand	CREE
LED Power	6W
Voltage	DC24V
Lumen	90~120LM/W
Color	Single Color/ RGBW With DMX512
Beam Angle	120°
Work Temperature	-25°C~50°C
IP Rating	IP66
Control Mode	ON/OFF
Size	D85*66H
Accessory	NO

LED UNDER-WATER SERIES



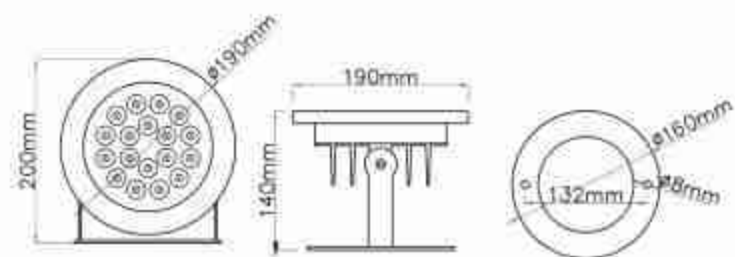
Specifications

1. 304 Or 316 Stainless steel housing with polyester spraying treatment on surface, shockproof and corrosion resistance.
2. Seal-ring – imported and anti-aging rubber.
3. Transparent tempered glass lamp.
4. Adjustable aluminum alloy bracket, die-casting angle is adjustable, easy and firm installation.
5. High-speed heat dissipation structure design – effectively improve LED lifespan.
6. No pollution elements contained
7. No IR light source & UV assisted design, enabling protection of the illuminated objects.
8. Lamp temperature increasing slowly, excellent heat dissipation, stable working, reliable sealing, waterproof and resistance.
9. IP Rating: IP68 – strict waterproof test for every lamp, before it goes out from our factory.
10. Got CE, RoHS, IP66 or FCC certificates.
11. Applications: suitable for partial lighting, accent lighting for floodlighting of large buildings, bridges, for ancient architectures and sports places.

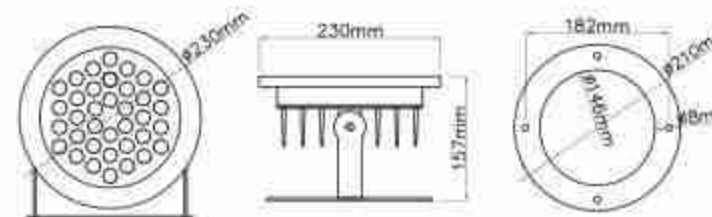
Makes your life brighter



LD-YS190-18



LD-YS230-36



Specifications

Code	LD-YS190-18
Material	304 OR 316 stainless housing with high corrosion resistance, Tempered glue cover.
LED Brand	CREE
LED Power	24W
Voltage	DC24V
Lumen	90-120LM/W
Color	Single Color/ RGBW With DMX512
Beam Angle	8° /15° /30° /45° /60° /15° × 45° /10° × 60°
Work Temperature	-25℃~50℃
IP Rating	IP68
Control Mode	ON/OFF
Size	D190*140H
Accessory	NO

Specifications

Code	LD-YS230-36
Material	304 OR 316 stainless housing with high corrosion resistance, Tempered glue cover.
LED Brand	CREE
LED Power	36W
Voltage	DC24V
Lumen	90-120LM/W
Color	Single Color/ RGBW With DMX512
Beam Angle	8° /15° /30° /45° /60° /15° × 45° /10° × 60°
Work Temperature	-25℃~50℃
IP Rating	IP68
Control Mode	ON/OFF
Size	D230*157H
Accessory	NO